

PRELIMINARY

## VFD CONTROLLER DRIVER

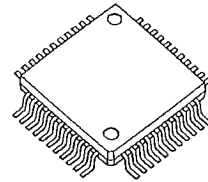
### ■ GENERAL DESCRIPTION

The **NJU3423** is a VFD (Vacuum Fluorescent Display) Controller Driver with key function.

It contains display data RAM, address counter, command register, high voltage drivers, and serial interface circuit.

The display data, the command data and the key scanning data can be transmitted with the serial interface, and VFD driving voltage is up to 45V. The **NJU3423** is useful for car audio, VCR and other VFD application items.

### ■ PACKAGE OUTLINE



**NJU3423F**

### ■ FEATURES

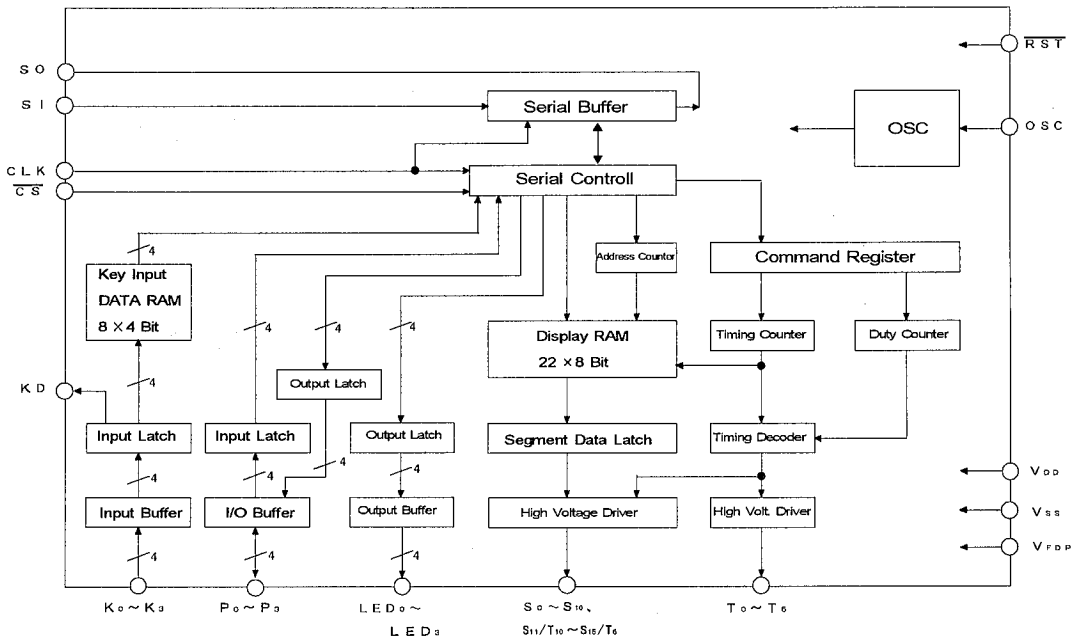
- VFD Driving Voltage |  $V_{DD}-V_{FDP}$  | =45V
- Display Mode 11 Segments Display × 11 Digits  
16 Segments Display × 6 Digits
- Display ON/OFF Function
- Display Scan Function (Digit Signal)
- Display Data RAM 22 × 8 Bits
- Key Input Data RAM 8 × 4 Bits
- Key Scan Function 8 × 4 Key max.
- I/O Port (4 Ports)
- LED Driving Port(4 Ports)
- CR Oscillation Circuit on-chip (fosc=5.5MHz Typ)
- External CLK Terminal
- Serial Interface (8 Bit)
- Power On Initialization
- Operating Voltage 5V ± 10%
- Low Operating Current
- C-MOS Technology
- Package Outline QFP 44

### ■ VERSION

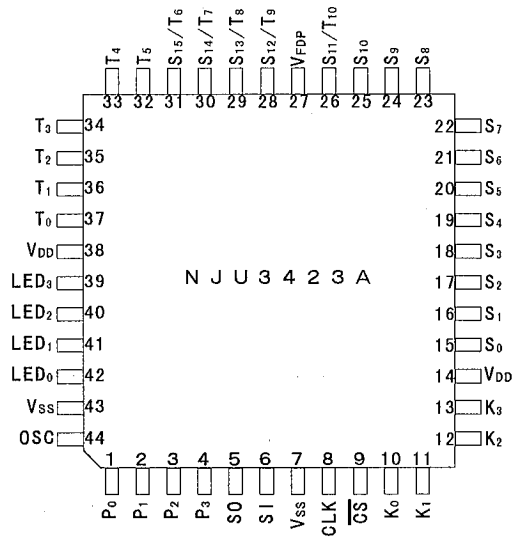
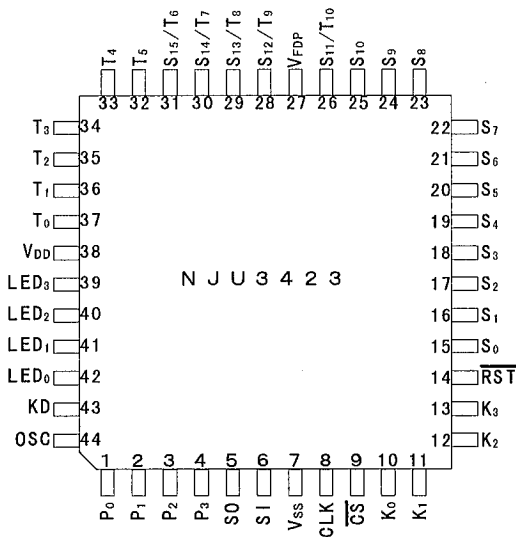
VERSION	RESET TERMINAL	KEY INPUT DETECT TERMINAL
NJU3423	HAVE	HAVE
NJU3423A	NO	NO

NOTE: Refer to the Pin Configuration

## ■ BLOCK DIAGRAM



## ■ PIN CONFIGURATION



■ TERMINAL DESCRIPTION

NO.		SYMBOL	FUNCTION
NJU3423	NJU3423A		
38	14,38	V <sub>DD</sub>	POWER SOURCE 5 V
7	7,43	V <sub>SS</sub>	GND 0 V
27	27	V <sub>FDP</sub>	VFD Driving Voltage V <sub>DD</sub> -45V
44	44	OSC	External CLK Terminal.(Normally Open)
10~13	10~13	K <sub>0</sub> ~K <sub>3</sub>	Key Input Terminals.(Pull-Down Resistance)
43	—	KD	Key Input Detection Terminal. When Key is input, "H" level is output from this terminal.
15~25	15~25	S <sub>0</sub> ~S <sub>10</sub>	Segment Output Terminals. (Pull-Down Resistance)
26 28~31	26 28~31	S <sub>11</sub> /T <sub>10</sub> S <sub>12</sub> /T <sub>9</sub> ~ S <sub>15</sub> /T <sub>6</sub>	Segment/Timing Output Terminals.(Pull-Down Resistance)
32~37	32~37	T <sub>5</sub> ~T <sub>0</sub>	Timing Output Terminals.(Pull-Down Resistance)
14	—	RST	Reset Terminal(Pull-Up Resistance) RESET operation requires "L" level over than 10 μ S
1~4	1~4	P <sub>0</sub> ~P <sub>3</sub>	I/O Ports(Pull-Up Resistance)
5	5	S0	Serial Data Output Terminal.(8-Bit / Word) Keyscan data (Port,Key data)are output from this terminal.
6	6	SI	Serial Data Input Terminal.(8-Bit / Word) Address, I/O Ports, Command, Display
8	8	CLK	Shift Clock Input Terminal.
9	9	$\overline{CS}$	Chip Select Input Terminal. Active "L".
39~42	39~42	LED <sub>3</sub> ~LED <sub>0</sub>	Output Port Terminal. It can drive LED directly.

## ■ TABLE OF INSTRUCTIONS

INSTRUCTIONS	C O D E								D E S C R I P T I O N
	B7	B6	B5	B4	B3	B2	B1	B0	
Reset	0	0	1	1	1	1	0	1	Resets the system excepting for RAM.
Address Set	0	0	0	AD4	AD3	AD2	AD1	AD0	Sets DD RAM address. The data(15H to 00H) into address (AD4 to AD0).
Write Data to DDRAM	S7	S6	S5	S4	S3	S2	S1	S0	Sets Display Data. The data must be set continuously after the address set.
Function Set	1	DT2	DT1	DT0	DSP	TM2	TM1	TM0	Sets Duty Ratio(DT2~0), Disp.ON/OFF(DSP) and Display Digit(TM2~TM0).
Write Data and Input Control to I/O Port	0	1	0	0	D3	D2	D1	D0	Sets I/O Output Data. When the output data selected "H",Input port can use active "L".
Write Data to LED Port	0	1	1	0	LED3	LED2	LED1	LED0	Output Control of LED <sub>0</sub> to LED <sub>3</sub> .
Read Data from I/O Port and Key Input Data	P3	P2	P1	P0	K3	K2	K1	K0	When the I/O port data selected "H". Upper 4bit:Port data Lower 4bit:Key data

## ■ DESCRIPTION OF EACH INSTRUCTIONS

### (1) Reset Circuit

"Reset" operates the initialization by the following instruction and the condition of control logic circuits in the IC is kept during "CS" is low.

RESET							
B7	B6	B5	B4	B3	B2	B1	B0
0	0	1	1	1	1	0	1

Reset by RST terminal and Power on reset are operated as same as the instruction reset. The condition of output terminals and registers are shown in bellow after reset operation.

#### · Initialization

- ① Display Off
- ② Display Mode:16-Segment/6-Character
- ③ Duty Ratio :2/16
- ④ Clear the Key Input Latch
- ⑤ Clear the I/O Port Latch
- ⑥ All I/O Port Output:"H"
- ⑦ All LED Port Output:"H"
- ⑧ Clear the serial buffer
- ⑨ Clear the Address Counter
- ⑩ Clear the Timing Counter
- ⑪ Clear the Duty Counter
- ⑫ Clear the Command Register

NOTE) DD RAM and Key Input RAM are not cleared.

## (2) Address Counter

The address counter addresses the area of display data RAM to store the display data from the serial interface.

When the first word of the serial data is recognized as the address of the display data RAM( The upper three bits of a byte must be "0".), the lower 5bits are set into the address counter.

The display data, which are input sequentially after the address code are set into the addressed area of display data RAM and the address counter is incremented automatically for next data.

Though the address counter consists of the 5-bit counter, the effective range is from "00000"(00H) to "10101"(15H) and the invalid range is from "10110"(16H) to "11111"(1FH).

The next address of "10101"(15H) is "00000"(00H) with automatic increment operation.

The Address Data

B7	B6	B5	B4	B3	B2	B1	B0
0	0	0	AD4	AD3	AD2	AD1	AD0

The mapping of the display data RAM

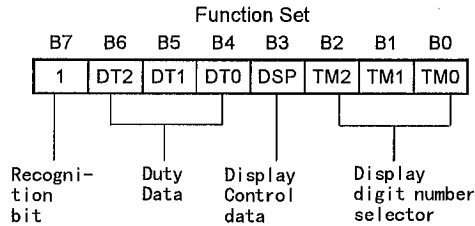
B7 B6 B5 B4 B3 B2 B1 B0								B7 B6 B5 B4 B3 B2 B1 B0										
00H								01H								T0		
02H								03H								T1		
04H								05H								T2		
06H								07H								T3		
08H								09H								T4		
0AH								0BH								T5		
0CH								0DH								T6		
0EH								0FH								T7		
10H								11H								T8		
12H								13H								T9		
14H								15H								T10		
	S7	S6	S5	S4	S3	S2	S1	S0		S15	S14	S13	S12	S11	S10	S9	S8	

(3) COMMAND REGISTER

The Command Register is the register for function set of Display Duty, DisplayDigit Number and Display ON/OFF.

When the first word of serial transmitted data is "1", the lower 7bits are set into the commandregister. The Display digit number selector effective range is from "000"(00H) to "101"(05H) and the invalid range is from "110"(06H) and "111"(07H).

The default condition of the display mode is display-off by the power on initialization.



(2-1) Duty set

DT2	DT1	DT0	Timing signal Duty
0	0	0	2/16
0	0	1	4/16
0	1	0	6/16
0	1	1	8/16
1	0	0	10/16
1	0	1	12/16
1	1	0	14/16
1	1	1	15/16

(2-2) Display control set

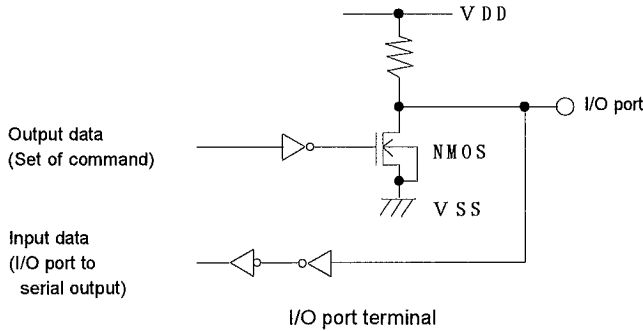
DSP	Display
0	OFF
1	ON

(2-3) Display digit number set

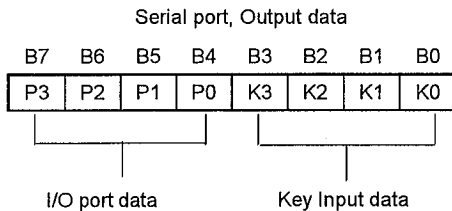
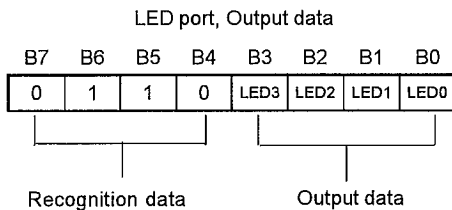
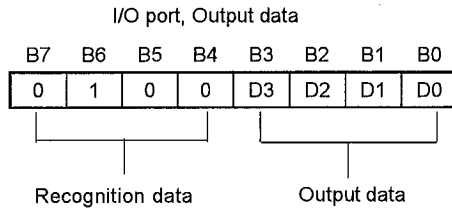
TM2	TM1	TM0	Digits
0	0	0	6
0	0	1	7
0	1	0	8
0	1	1	9
1	0	0	10
1	0	1	11
1	1	0	No use
1	1	1	No use

### (4) I/O Port, LED Driving Port

The NJU3423 incorporates four I/O ports and four LED driver ports. I/O ports are constructed by the N-channel open-drain type FET with the pull-up resistor. When the output data is set into D3 ~ D0, these I/O ports can be used as the output terminal. In case of input mode "H" level must be set into D3 ~ D0, then these I/O ports can be used as the input terminal with pull-up resistor. The P3 ~ P0 data of input or output is transferred to the MPU with Key Input Data (K3 ~ K0), by the serial interface. When the power supply is turned on, the output data is "H". And the data is hold until the next data is transferred.

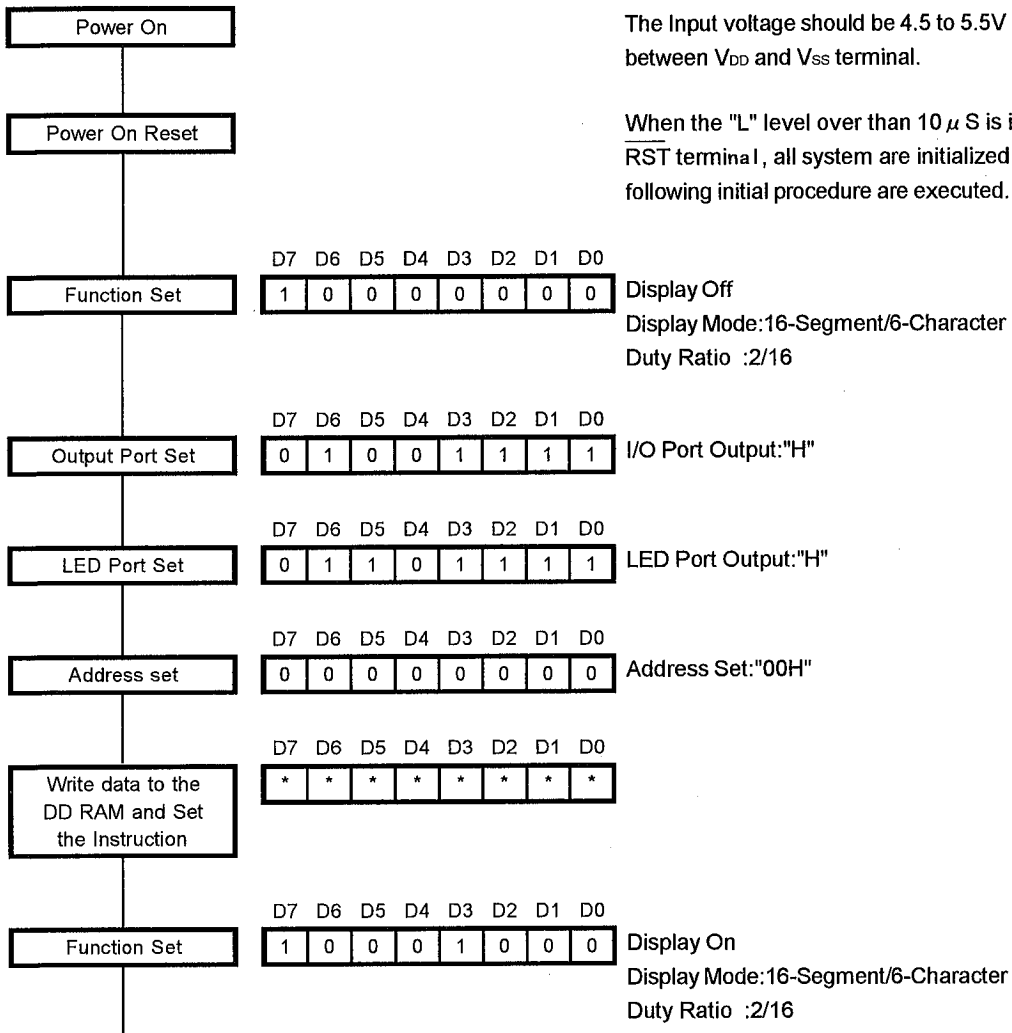


Each Terminals Instructions is shown below.



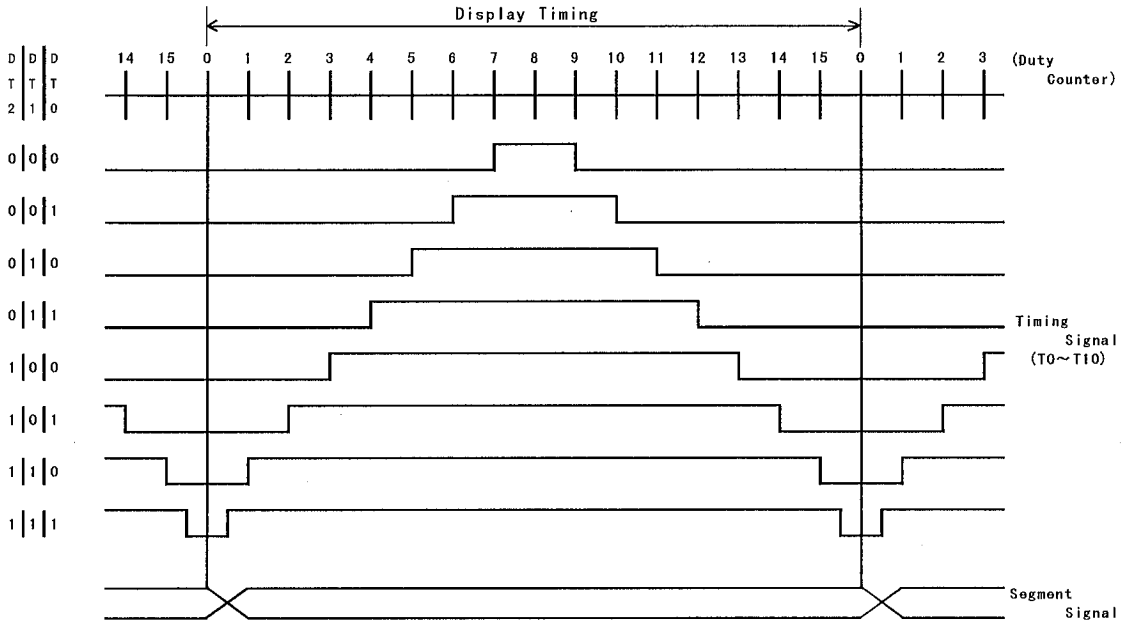
## (4-1) INITIALIZATION

Initialization flow is shown below:

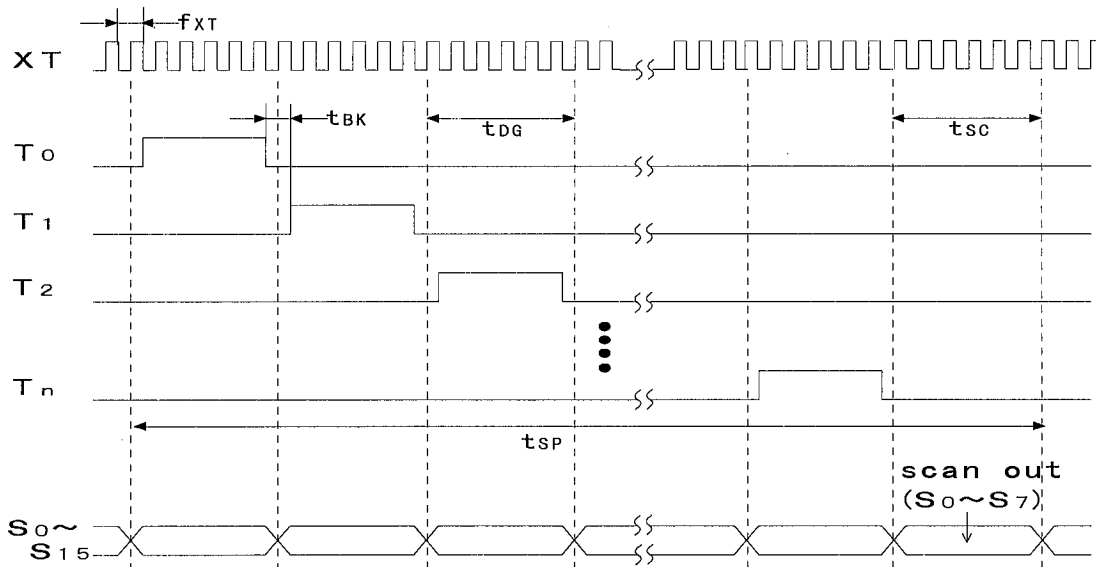




## TIMING SIGNAL / DUTY CHANGE WAVEFORM



## DISPLAY TIMING CHART



Oscillation frequency	: $f_{XT}$
Minimum blanking time (Duty 15/16)	: $t_{BK} = (1/f_{XT}) \times 96$
1 character display time	: $t_{DG} = t_{BK} \times 16$
Key scanning time	: $t_{sc} = t_{DG}$
1 cycle display time	: $t_{SP} = t_{DG} \times \text{character} + t_{sc}$

## (5) KEY INPUT CIRCUIT

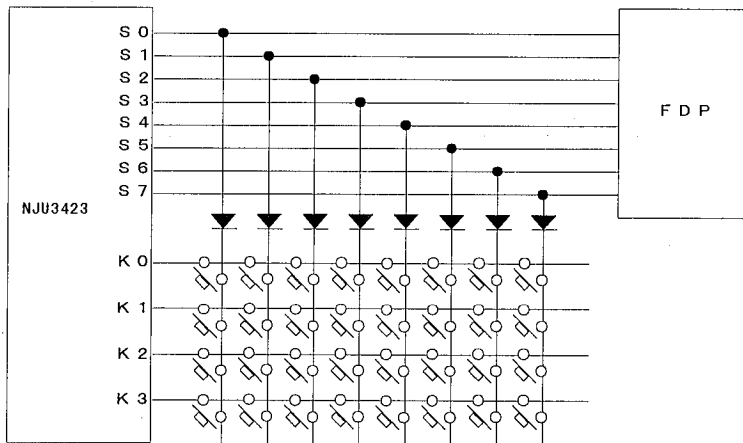
The key input circuit uses 8 terminals of the display segment output for key scanning and the key data are read from 4 input terminals ( K0 ~ K3 ) on the each scanning timing. Then the key data are stored into the key input data RAM, and transmitted to MPU in serial transmission.

The condition of key input terminals are normally "L" and they go to "H" is the key on.

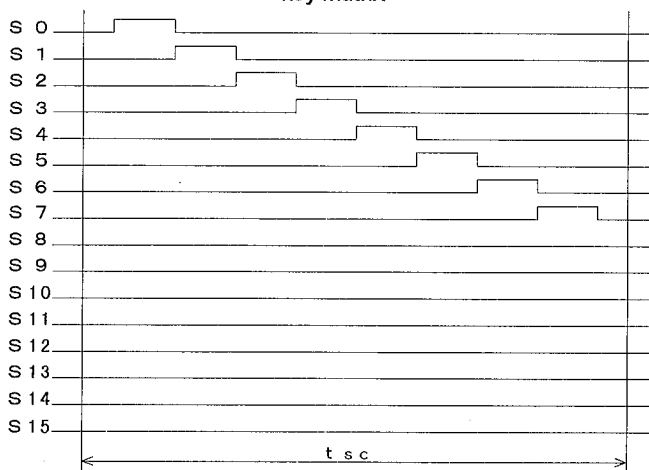
The key input detector function outputs "H" level during key is on at key scan.

### (5-1) key condition vs key input terminal level

key condition	input level
key pushed	"H"
not key pushed	"L"



key matrix



key scan wave form

## (6) SERIAL DATA TRANSMISSION

The NJU3423 provides the serial interface to communicate with external circuit. This interface circuit requires the external shift clock input and can operate the bi-directional (input/output) transmission synchronizing with clock.

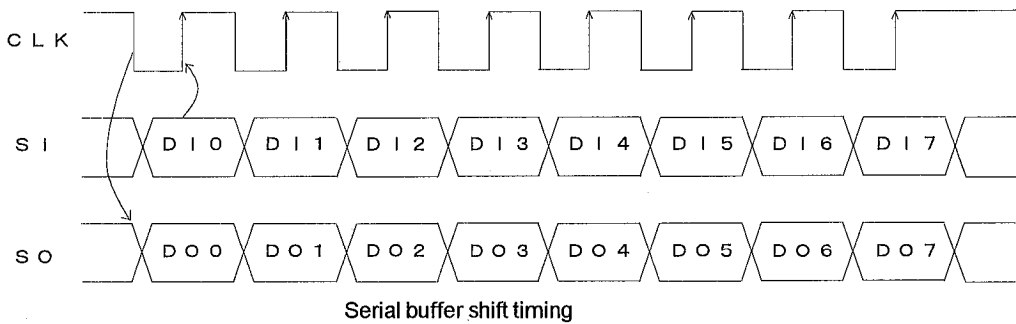
The serial data are grouped as a word which equals to byte(8 bits)for this device. The serial interface circuit is activated when the CS terminal is set to "L" level. While the CS is "L", the words of the serial data can be transmitted synchronizing the shift Clock (the CLK terminal) with the serial data input or output(the SI or SO terminal).

On the data input mode, the first transmitted word must be the address,the command or the I/O port output data. When the first word is the address data, the next words are the display data. When the first word is the command or I/O port output data, the next words are ineffective.

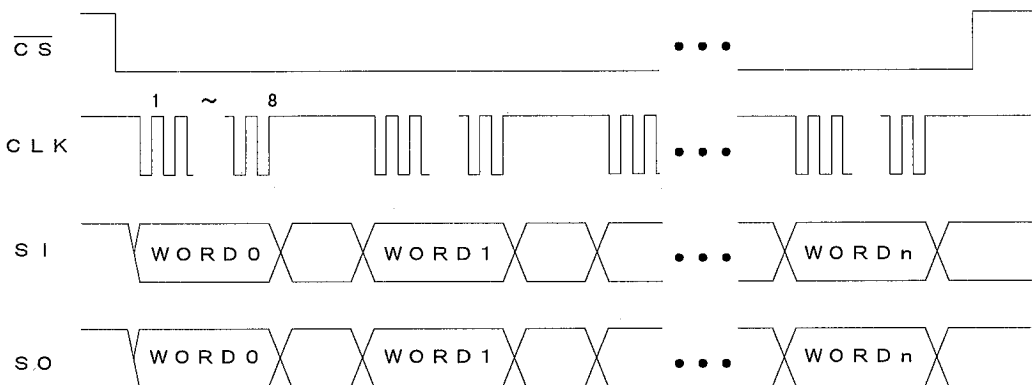
On the data output mode, the transmitted word consists of the key data in the lower 4 bits and the I/O port input data in the upper 4 bits ( The MSB is invalid). The key data of the first word is the data by S0 scanning, the second word is the data by S1,--- finally scanning, the 8th word means the data by S7 scanning. The I/O port input data means the last status data.For getting all key matrix data(8 X 4 max.),the data transmission of the 8 words is required.

When the key data transmission is stopped at less than 8 words, the new key data transmission is start to read from the first (S0 scanning) word.

### ■ CLK and SI/SO TIMING CHART



### ■ SERIAL TRANSMISSION FORMAT



(6-1) SERIAL INPUT DATA

WORD 0

The address data

B7	B6	B5	B4	B3	B2	B1	B0
0	0	0	AD4	AD3	AD2	AD1	AD0

The I/O port output data

B7	B6	B5	B4	B3	B2	B1	B0
0	1	0	0	D3	D2	D1	D0

The LED port output data

B7	B6	B5	B4	B3	B2	B1	B0
0	1	1	0	LED3	LED2	LED1	LED0

The command data

B7	B6	B5	B4	B3	B2	B1	B0
1	DT2	DT1	DT0	DSP	TM2	TM1	TMO

The RESET data

B7	B6	B5	B4	B3	B2	B1	B0
0	0	1	1	1	1	0	1

WORD 1 ~ n      Display data are required when WORD 0 = address data  
 Any data are become ineffective when WORD 0 = not address data

(6-2) SERIAL OUTPUT DATA

WORD 0 ~ 7 (Key scan data)

Serial output data

B7	B6	B5	B4	B3	B2	B1	B0
P3	P2	P1	P0	K3	K2	K1	K0

WORD 8 ~ n      Ineffectivedata

**■ ABSOLUTE MAXIMUM RATINGS**

 (Ta=25°C, V<sub>SS</sub>=0V)

PARAMETER	SYM.	RATING	UNIT	CONDITIONS
Operating Voltage	V <sub>DD</sub>	-0.3~+7.0	V	
Input Voltage	V <sub>IN</sub>	-0.3~V <sub>DD</sub> +0.3	V	
Output Voltage	V <sub>OUT</sub>	-0.3~V <sub>DD</sub> +0.3	V	
VFD Driving Voltage	V <sub>FDP</sub>	V <sub>DD</sub> -40~V <sub>DD</sub> +0.3	V	Specified as V <sub>DD</sub> .
"H"level Output Current	I <sub>OH</sub>	-5	mA	For a terminal except the display terminals
	I <sub>ODH1</sub>	-15	mA	For a terminal, S <sub>0</sub> ~S <sub>7</sub> terminals only
	I <sub>ODH2</sub>	-35	mA	For a terminal, T <sub>0</sub> ~T <sub>s</sub> , T <sub>6</sub> /S <sub>15</sub> ~T <sub>10</sub> /S <sub>11</sub> Terminals only
"H" level Total Output Current	Σ I <sub>OH</sub>	-40	mA	Sum of the output terminal except the display Terminals
	Σ I <sub>ODH</sub>	-100	mA	Sum of the display Terminals
"L"level Output Current	I <sub>OLC</sub>	20	mA	For a terminal, LED <sub>0</sub> ~LED <sub>3</sub> Terminals only
"L"level Total Output Current	Σ I <sub>OL</sub>	100	mA	Sum of the Output Terminals
Operating Temperature Range	T <sub>opr</sub>	-30~+80	°C	
Storage Temperature Range	T <sub>stg</sub>	-55~+125	°C	
Power Dissipation	P <sub>D</sub>	400	mW	QFP-44 Package

 Note) Decoupling capacitor should be connected between V<sub>DD</sub> and V<sub>SS</sub>, V<sub>FDP</sub> and V<sub>SS</sub>.

## ■ ELECTRICAL CHARACTERISTICS

(Ta=25°C, V<sub>SS</sub>=0V)

PARAMETER	SYM.	CONDITIONS	MIN.	TYP.	MAX.	UNIT	
Operating Voltage	V <sub>DD</sub>	V <sub>DD</sub> Terminal	4.5	-	5.5	V	
"H" level Input Voltage	V <sub>IH1</sub>	OSC, RST, CS, CLK, S <sub>1</sub> , P <sub>0</sub> ~ P <sub>3</sub> Term.	0.8V <sub>DD</sub>			V	
	V <sub>IH2</sub>	K <sub>0</sub> ~ K <sub>3</sub> Terminal	0.4V <sub>DD</sub>			V	
"L" level Input Voltage	V <sub>IL1</sub>	OSC, RST, CS, CLK, S <sub>1</sub> , P <sub>0</sub> ~ P <sub>3</sub> Term.			0.2V <sub>DD</sub>	V	
	V <sub>IL2</sub>	K <sub>0</sub> ~ K <sub>3</sub> Terminal			0.16V <sub>DD</sub>	V	
"H" level Output Voltage	V <sub>OH1</sub>	KD, S <sub>0</sub> Terminal	V <sub>DD</sub> =4.5V, I <sub>OH1</sub> =-0.5mA	4.0		V	
	V <sub>OH2</sub>		V <sub>DD</sub> =4.5V, I <sub>OH2</sub> =-1.2mA	3.5		V	
"L" level Output Voltage	V <sub>OL1</sub>	KD, S <sub>0</sub> , P <sub>0</sub> ~ P <sub>3</sub> Terminal	V <sub>DD</sub> =4.5V, I <sub>OL1</sub> = 1.8mA		0.4	V	
	V <sub>OL2</sub>		V <sub>DD</sub> =4.5V, I <sub>OL2</sub> = 3.6mA		0.6	V	
	V <sub>OL3</sub>	LED <sub>0</sub> ~ LED <sub>3</sub> Term.	V <sub>DD</sub> =4.5V, I <sub>OL3</sub> = 10mA		0.4	V	
Input Off Leak Current	I <sub>Iz</sub>	CS, CLK, S <sub>1</sub> Term.	V <sub>DD</sub> =5.5V, V <sub>I</sub> =0 or 5.5V		±1	μA	
Display Output Current	I <sub>OH1</sub>	S <sub>0</sub> ~ S <sub>10</sub> Term.	V <sub>DD</sub> =4.5V, V <sub>OH</sub> =V <sub>DD</sub> -2.5V		-7	mA	
	I <sub>OH2</sub>	S <sub>11</sub> /T <sub>10</sub> ~ S <sub>15</sub> /T <sub>6</sub> , T <sub>0</sub> ~ T <sub>5</sub> Terminal			-15	mA	
Pull-up resistance	R <sub>UR</sub>	RST Terminal	V <sub>DD</sub> =5.0V, V <sub>I</sub> =V <sub>SS</sub>	140	260	KΩ	
	R <sub>UP</sub>	LED <sub>0</sub> ~ LED <sub>3</sub> , P <sub>0</sub> ~ P <sub>3</sub> Terminal	V <sub>DD</sub> =5.0V, V <sub>I</sub> =V <sub>SS</sub>	10	20	KΩ	
Pull-Down resistance	R <sub>DK</sub>	K <sub>0</sub> ~ K <sub>3</sub> Terminal	V <sub>DD</sub> =5.0V, V <sub>I</sub> =V <sub>DD</sub>	20	50	KΩ	
	R <sub>DST</sub>	S <sub>11</sub> /T <sub>10</sub> ~ S <sub>15</sub> /T <sub>6</sub> , T <sub>0</sub> ~ T <sub>5</sub> , S <sub>0</sub> ~ S <sub>10</sub> Terminal	V <sub>DD</sub> =5.0V, V <sub>O</sub> =V <sub>DD</sub> , V <sub>FDP</sub> =V <sub>DD</sub> -40V	70	200	KΩ	
Logic Operating Current	I <sub>DD1</sub>	V <sub>SS</sub> Terminal	V <sub>DD</sub> =5.0V, CR Oscillation, Output Open, K <sub>0</sub> ~ K <sub>3</sub> , P <sub>0</sub> ~ P <sub>3</sub> RST Term. Open, All Segment or Timing Output is OFF		2	4	mA
Display Operating Current	I <sub>DD2</sub>	V <sub>FDP</sub> Terminal	V <sub>DD</sub> =5.0V, V <sub>FDP</sub> =V <sub>DD</sub> -40V Output Open except S <sub>11</sub> /T <sub>10</sub> ~ S <sub>15</sub> /T <sub>6</sub> , T <sub>0</sub> ~ T <sub>5</sub> , S <sub>0</sub> ~ S <sub>10</sub> , All Segment or Timing Output is ON		7	10	mA

## ■ AC Characteristics

(Ta=25°C, V<sub>DD</sub>=4.5V ~ 5.5V, V<sub>SS</sub>=0V)

PARAMETER	SYM.	CONDITION	MIN.	TYP.	MAX.	UNIT
Oscillation Frequency External Frequency	f <sub>CR</sub>	Fig.1	3	5.5	8	MHz
External Clock Rise / Fall Time	t <sub>CLH</sub> t <sub>CLL</sub>	Fig.1			20	ns
Serial Input Setup Time	t <sub>SIS</sub>	Fig.2	60			ns
Serial Input Hold Time	t <sub>SIH</sub>	Fig.2	10			ns
Serial Output Delay Time	t <sub>SOD</sub>	Fig.2 Load=50pF			120	ns
Shift Clock Frequency	f <sub>CLK</sub>	Fig.3			f <sub>CR</sub> /3	MHz
Shift Clock Interval Time	t <sub>CLKI</sub>	Fig.3	10			μs
Minimum Blanking Time	t <sub>BK</sub>	Fig.4 @f <sub>CR</sub> =4MHz	20		30	μs
"L" level Time	t <sub>KSL</sub>	Fig.5 @f <sub>CR</sub> =4MHz, Key scan	20			μs
"H" level Time	t <sub>KST</sub>	Fig.5 @f <sub>CR</sub> =4MHz, Key scan	20		30	μs
Reset Pulse Width	t <sub>RST</sub>		10			μs
Power Rise Time	t <sub>R</sub>	Fig.6	0.05		50	ms

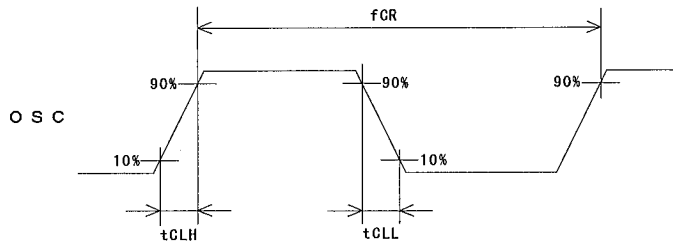


Fig.1

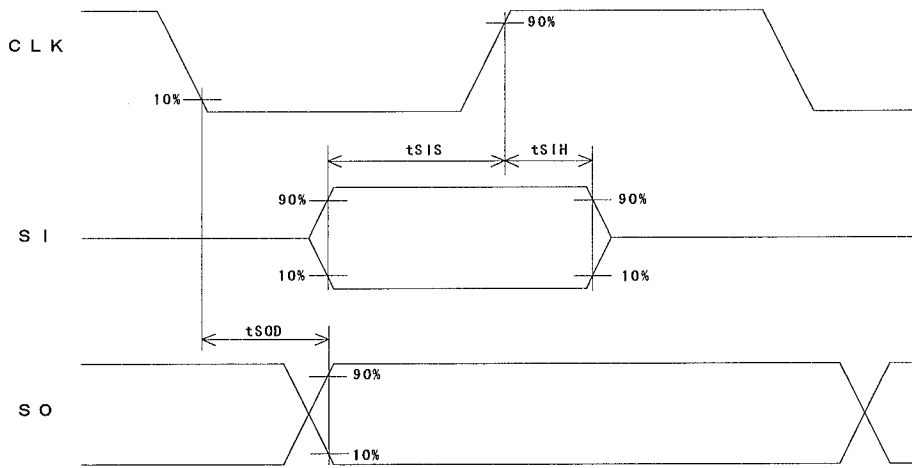


Fig.2

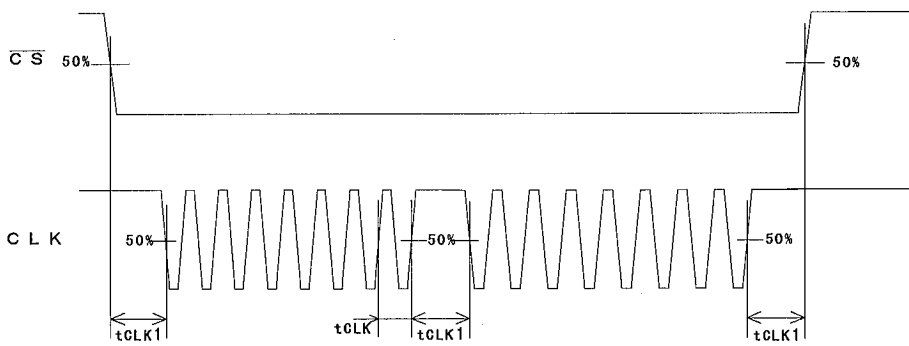


Fig.3

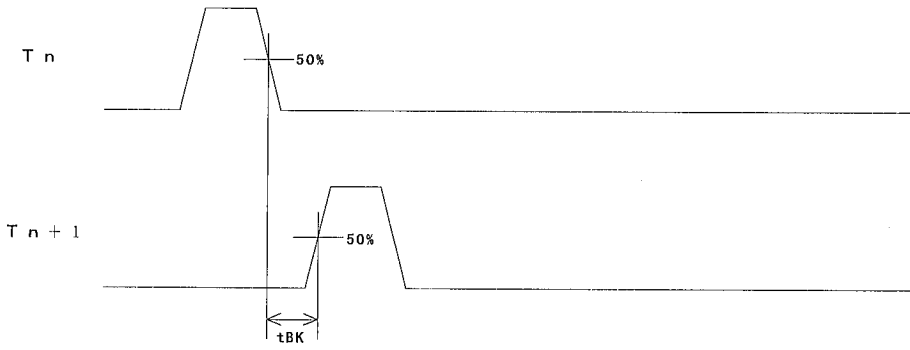


Fig.4

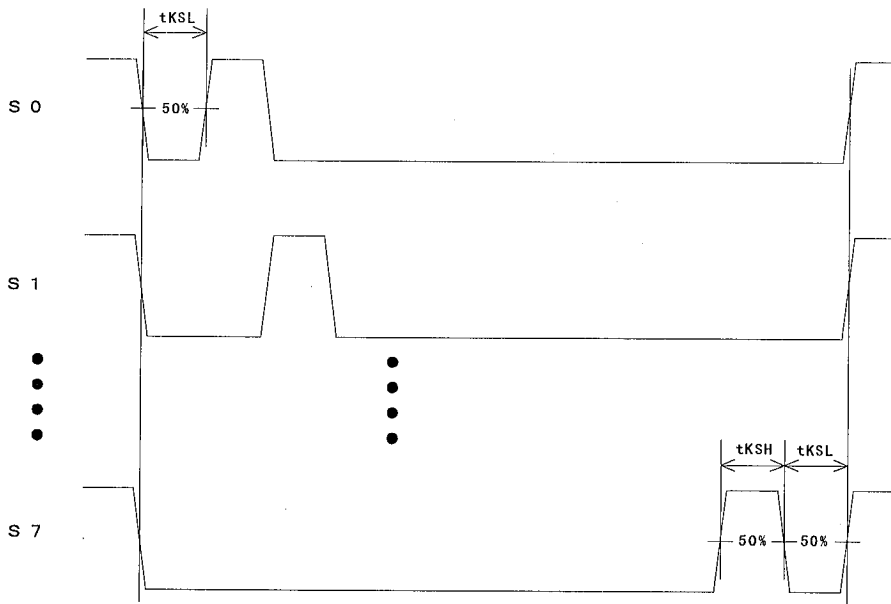


Fig.5

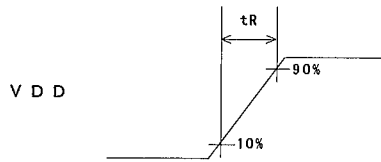
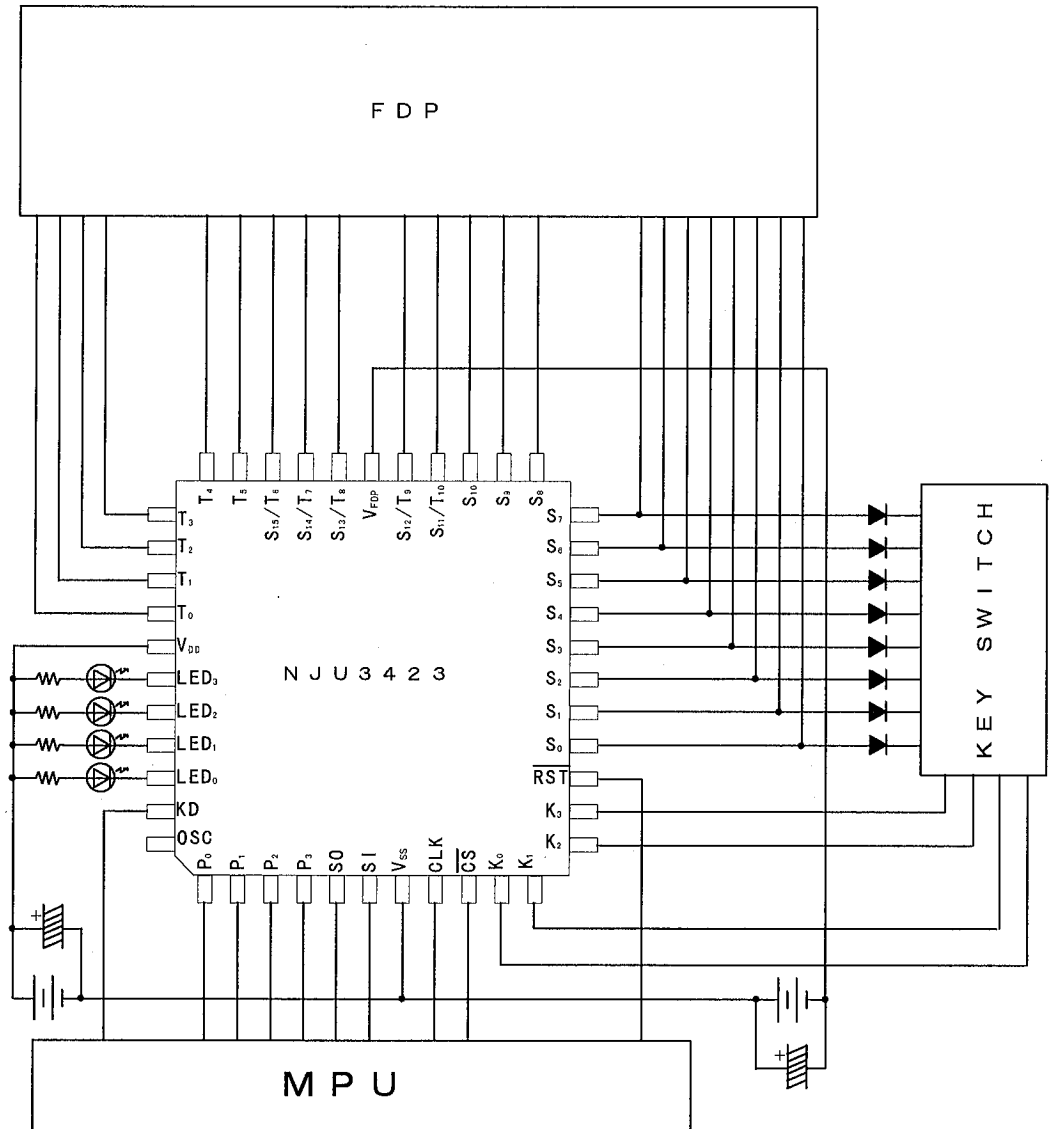


Fig.6

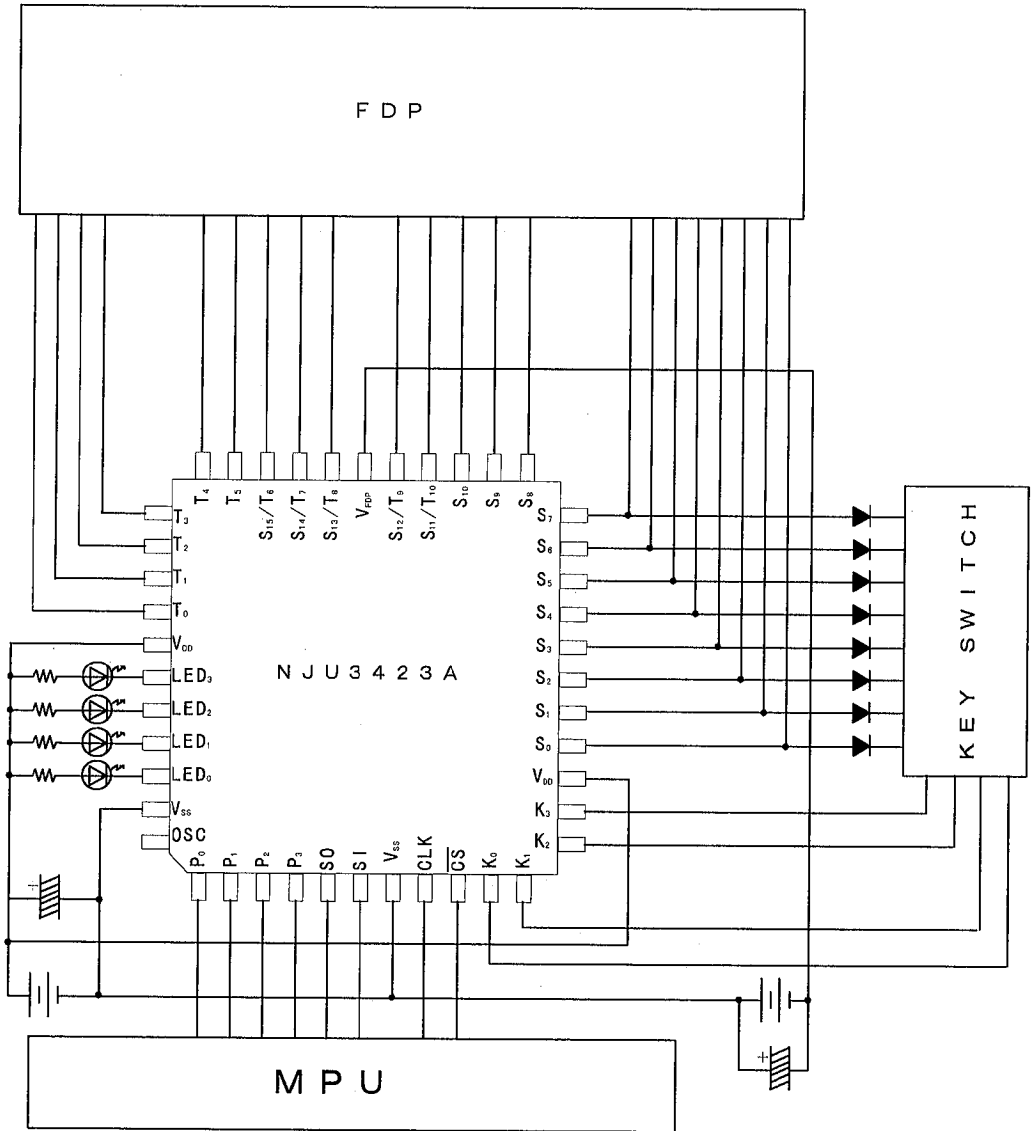


■ APPLICATION CIRCUIT

(1) NJU3423



(2) NJU3423A



## MEMO

**[CAUTION]**

The specifications on this databook are only given for information, without any guarantee as regards either mistakes or omissions. The application circuits in this databook are described only to show representative usages of the product and not intended for the guarantee or permission of any right including the industrial rights.