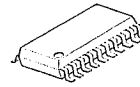


RF AMPLIFIER FOR CD PLAYER

■ GENERAL DESCRIPTION

NJM2117 is designed for CD player, which contains RF amplifier for 3 spot system optical PICK-UP output, FOCUS error amplifier and APC circuit.

■ PACKAGE OUTLINE



NJM2117V

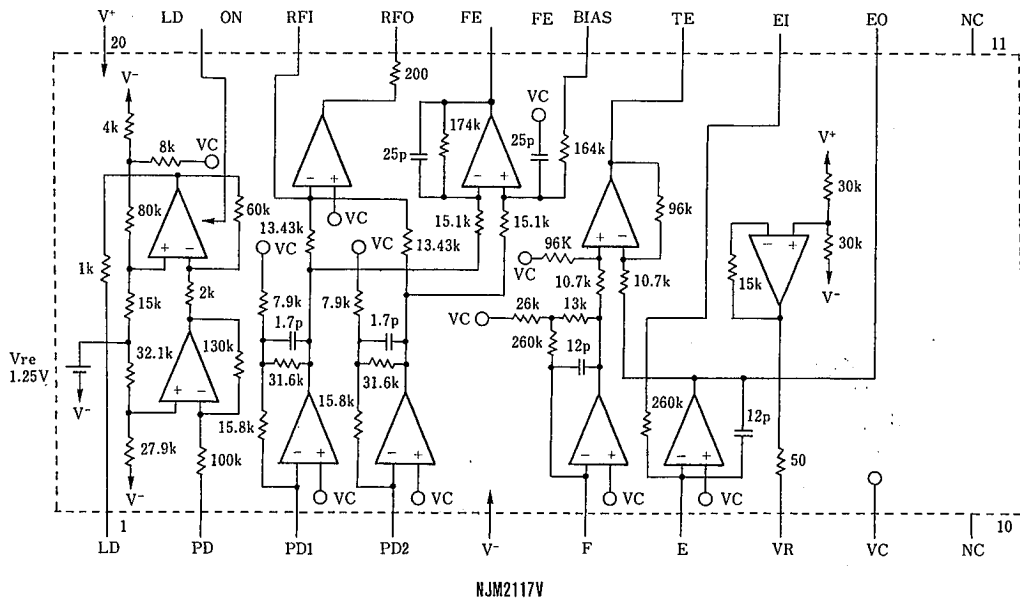
■ FEATURES

- Dual Supply $\pm 5V$ Operation
- Single Supply +5V Operation Available
- Package Outline SSOP20
- Bipolar Technology

■ PIN FUNCTION

- | | |
|-------------------|--------------------|
| 1. LD | 20. V ⁺ |
| 2. PD | 19. LD ON |
| 3. PD1 | 18. RFI |
| 4. PD2 | 17. RFO |
| 5. V ⁻ | 16. FE |
| 6. F | 15. FE BIAS |
| 7. E | 14. TE |
| 8. VR | 13. EI |
| 9. VC | 12. EO |
| 10. NC | 11. NC |

■ BLOCK DIAGRAM



NJM2117V

■ ABSOLUTE MAXIMUM RATINGS

(Ta=25°C)

PARAMETER	SYMBOL	RATINGS	UNIT
Supply Voltage	V ⁺ /V	±6	V
Power Dissipation	P _D	(SSOP8) 300	mW
Operating Temperature Range	T _{opr}	-20~+75	°C
Storage Temperature Range	T _{stg}	-40~+125	°C

■ ELECTRICAL CHARACTERISTICS

(V⁺/V=±5.0V, Ta=25°C)

PARAMETER	SYMBOL	TEST CONDITION	MIN.	TYP.	MAX.	UNIT
Operating Current	I _{CC}	20pin	—	8.0	12.0	mA
Operating Current	I _{EE}	5pin	-12.0	-8.0	—	mA
<RF Amplifier>						
Output Offset Voltage	V _{OO1}	TP17 Voltage	-50	—	50	mV
Voltage Gain	G _{V1}	TP3/4=2KHz, 30mV _{rms} INPUT	28.2	31.2	34.2	dB
Frequency Characteristic	FG _{V1}	Frequency at G _{V1} =-3dB	1.50	3.75	—	MHZ
Maximum Output Voltage H	+V _{OM1}	TP3=0.6V	3.5	—	—	V
Maximum Output Voltage L	-V _{OM1}	TP3=-0.6V	—	—	-0.3	V
<FE Amplifier>						
Output Offset Voltage	V _{OO2}	TP16 Voltage	-120	0	120	mV
Output Noise	V _{NOISE}	S3=ON: TP16Noise (100KHZ LPF)	—	15	30	mV _{rms}
Voltage Gain 1	G _{V2-1}	TP3=1KHz, 10mV _{rms} Input	39.1	42.1	45.1	dB
Voltage Gain 2	G _{V2-2}	TP4=1KHz, 10mV _{rms} Input	39.1	42.1	45.1	dB
Frequency Characteristic 1	FG _{V2-1}	Frequency at G _{V2-1} =-3dB	—	27	—	KHZ
Frequency Characteristic 2	FG _{V2-2}	Frequency at G _{V2-2} =-3dB	—	27	—	KHZ
Difference Voltage Gain	G _{VD2}	G _{VD2} =(G _{V2-1})-(G _{V2-2})	-3.0	0	3.0	dB
Maximum Output Voltage H	+V _{OM2}	TP3=0.3V	4.2	—	—	V
Maximum Output Voltage L	-V _{OM2}	TP4=0.3V	—	—	-2.2	V
<TE Amplifier>						
Output Offset Voltage	V _{OO3}	TP14 Voltage	-50	0	50	mV
Voltage Gain 1	G _{V3-1}	TP6=1KHz, 100mV _{rms} Input	16.4	19.4	22.4	dB
Voltage Gain 2	G _{V3-2}	TP7=1KHz, 100mV _{rms} Input	16.4	19.4	22.4	dB
Frequency Characteristic 1	FG _{V3-1}	Frequency at G _{V3-1} =-3dB	—	34	—	KHZ
Frequency Characteristic 2	FG _{V3-2}	Frequency at G _{V3-2} =-3dB	—	34	—	KHZ
Difference Voltage Gain	G _{VD3}	G _{VD3} =(G _{V3-1})-(G _{V3-2})	-3.0	0	3.0	dB
Maximum Output Voltage H	+V _{OM3}	TP7=1.5V	4.2	—	—	V
Maximum Output Voltage L	-V _{OM3}	TP6=1.5V	—	—	-2.2	V
<APC>						
Output Voltage 1	V _{O1}	S ₂ =2 V ₁ =69mV V ₂ =0.5V	—	-1.7	-0.4	V
Output Voltage 2	V _{O2}	S ₂ =2 V ₁ =123mV V ₂ =0.5V	-1.0	0.3	1.6	V
Output Voltage 3	V _{O3}	S ₂ =2 V ₁ =177mV V ₂ =0.5V	1.0	2.3	—	V
Output Voltage 4	V _{O4}	S ₂ =2 V ₁ =0V V ₂ =4.5V	4.6	4.8	—	V
Output Voltage 5	V _{O5}	S ₁ =ON S ₂ =2 V ₁ =0V V ₂ =0.5V	—	—	2.0	V
<Center Voltage Amp.>						
Output Voltage 6	V _{O6}	TP8 Voltage	-100	0	100	mV

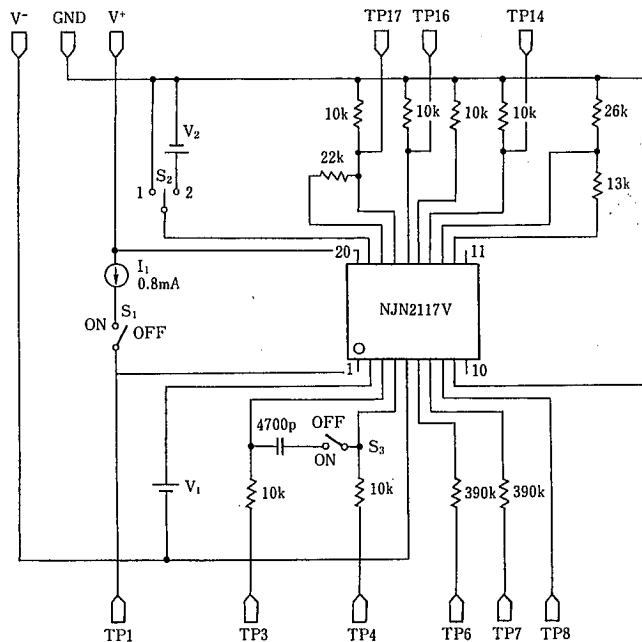
5

ELECTRICAL CHARACTERISTICS

($V^+/V^- = \pm 2.5V$, $T_a = 25^\circ C$)

PARAMETER	SYMBOL	TEST CONDITION	MIN.	TYP.	MAX.	UNIT
Operating Current	I_{CC}	20pin	—	6.0	12.0	mA
Operating Current	I_{EE}	5pin	-12.0	-6.0	—	mA
<RF Amplifier>						
Output Offset Voltage	V_{OO1}	TP17 Voltage	-50	—	50	mV
Voltage Gain	G_{V1}	TP3/4=2KHz, 30mV _{PP} INPUT	28.2	31.2	34.2	dB
Maximum Output Voltage H	$+V_{OM1}$	TP3=0.4V	$V^+-0.5$	—	—	V
Maximum Output Voltage L	$-V_{OM1}$	TP3=-0.4V	—	—	$V^-+2.2$	V
<FE Amplifier>						
Output Offset Voltage	V_{OO2}	TP16 Voltage	-120	0	120	mV
Voltage Gain 1	G_{V2-1}	TP3=1KHz, 10mV _{PP} INPUT	39.1	42.1	45.1	dB
Voltage Gain 2	G_{V2-2}	TP4=1KHz, 10mV _{PP} INPUT	39.1	42.1	45.1	dB
Difference Voltage Gain	G_{VD2}	$G_{VD2}=(G_{V2-1})-(G_{V2-2})$	-3.0	0	3.0	dB
Maximum Output Voltage H	$+V_{OM2}$	TP3=0.3V	$V^+-0.5$	—	—	V
Maximum Output Voltage L	$-V_{OM2}$	TP4=0.3V	—	—	$V^-+0.5$	V
<TE Amplifier>						
Output Offset Voltage	V_{OO3}	TP14 Voltage	-50	0	50	mV
Voltage Gain 1	G_{V3-1}	TP6=1KHz, 100mV _{PP} INPUT	16.4	19.4	22.4	dB
Voltage Gain 2	G_{V3-2}	TP7=1KHz, 100mV _{PP} INPUT	16.4	19.4	22.4	dB
Difference Voltage Gain	G_{VD3}	$G_{VD3}=(G_{V3-1})-(G_{V3-2})$	-3.0	0	3.0	dB
Maximum Output Voltage H	$+V_{OM3}$	TP7=1.5V	$V^+-0.5$	—	—	V
Maximum Output Voltage L	$-V_{OM3}$	TP6=1.5V	—	—	$V^-+0.5$	V
<APC>						
Output Voltage 1	V_{O1}	$S_2 = 2$ $V_1 = 110mV$ $V_2 = -20.V$	—	-1.6	-0.3	V
Output Voltage 2	V_{O2}	$S_2 = 2$ $V_1 = 160mV$ $V_2 = -20.V$	-1.1	0.2	1.5	V
Output Voltage 3	V_{O3}	$S_2 = 2$ $V_1 = 210mV$ $V_2 = -20.V$	0.8	2.1	—	V
Output Voltage 4	V_{O4}	$S_2 = 2$ $V_1 = 0V$ $V_2 = -20.V$	2.1	2.3	—	V
Output Voltage 5	V_{O5}	$S_1 = ON$ $S_2 = 2$ $V_1 = 0V$ $V_2 = 2.0V$	—	—	1.0	V
<Center Voltage Amp.>						
Output Voltage 6	V_{O6}	$V_2 = -2.5V$ TP8 Voltage	-70	0	70	mV

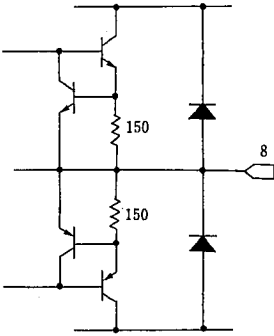
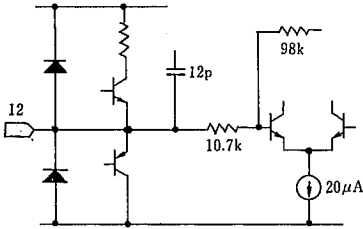
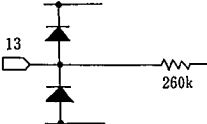
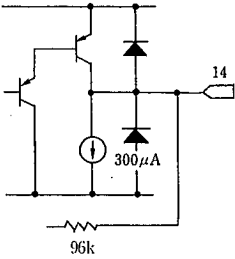
TEST CIRCUIT



■ TERMINAL EXPLANATION

PIN NO.	SYMBOL	EQUIVALENT CIRCUIT*	TERMINAL EXPLANATION
1	LD		Output pin of APC AMP.
2	PD		Input pin of APC AMP.
3 4	PD1 PD2		Input pin of RF I-V AMP. Connect A+C pin, B+D pin of each photo-diode and current input.
5	V _{EE}		Connect minus supply. ... (Two supply) Connect GND. ... (Single supply)
6 7	F E		Input pin of TE I-V AMP. Connect E pin, F pin of each photo-diode and current input.

5

PIN NO.	SYMBOL	EQUIVALENT CIRCUIT	TERMINAL EXPLANATION
8	VR		Output pin of direct current $(V_{CC} + V_{EE})/2$.
9	VC		Input pin of internal center point voltage. Connect GND.....($\pm 5V$) Connect VR pin.(Single supply)
12	EO		Output pin for monitor of I-V AMP E.
13	EI		Gain adjustment pin of I-V AMP E.
14	TE		Output pin of TRACKING ERROR AMP. Output of E-F signal.

5

PIN NO.	SYMBOL	EQUIVALENT CIRCUIT	TERMINAL EXPLANATION
15	FE-BIAS		Bias adjustment pin of FOCUS ERROR AMP. (Non-inverting side)
16	FE		Output pin FOCUS ERROR AMP.
17	RFO		Output pin RF AMP.
18	RFI		Input pin of RF AMP. (Inverting side) Establish Gain of RF AMP by resistor between RFI pin and RFO pin.
19	LD ON		Change-over pin(on/off) of APC AMP. ON...GND/OFF...Vcc
20	Vcc		Connect plus supply.(Two supply) Connect Vcc.(Single supply)

5

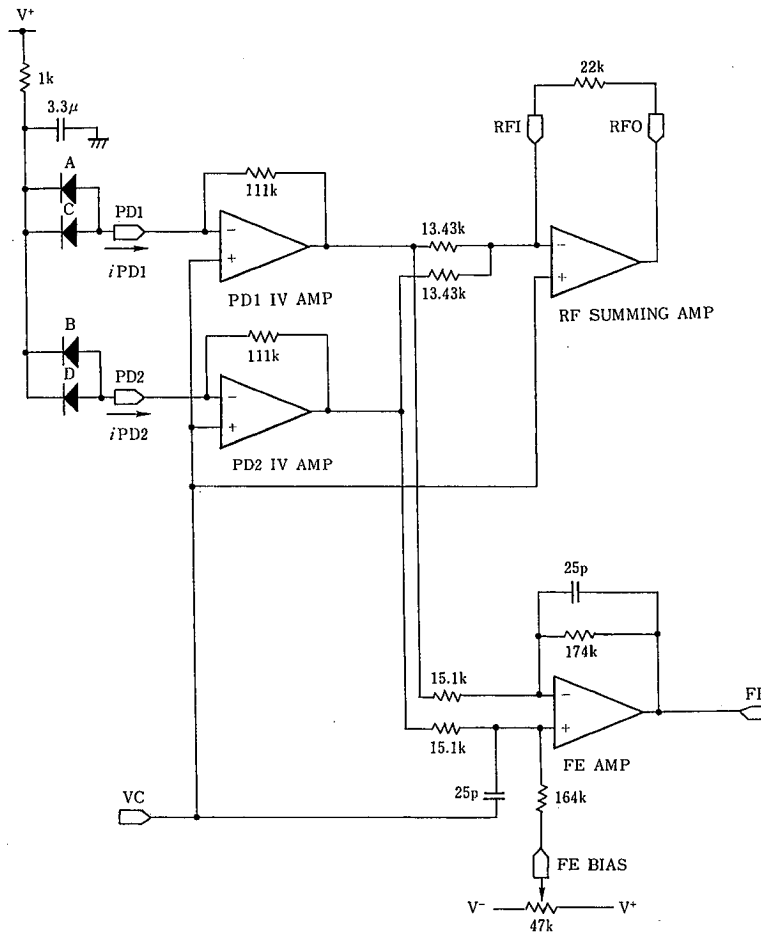
RF AMP

RFO-OUTPUT

$$V_{RFO} = (iPD1 + iPD2)(A) \times 111(k\Omega) \times \frac{22(k\Omega)}{13.43(k\Omega)}$$

$$= 181.8(k\Omega) \times (iPD1 + iPD2)(A)$$

Establish Gain of RF AMP by resistor (22kΩ) between RFI pin and RFO pin.



FE AMP

FE OUTPUT

$$V_{FE} = (i_{PD1} - i_{PD2})(A) \times 111(k\Omega) \times \frac{174(k\Omega)}{15.1(k\Omega)}$$

$$= 1279(k\Omega) \times (i_{PD1} - i_{PD2})(A)$$

It is possible to control FE Output Offset by variable resistor with FE BIAS pin.

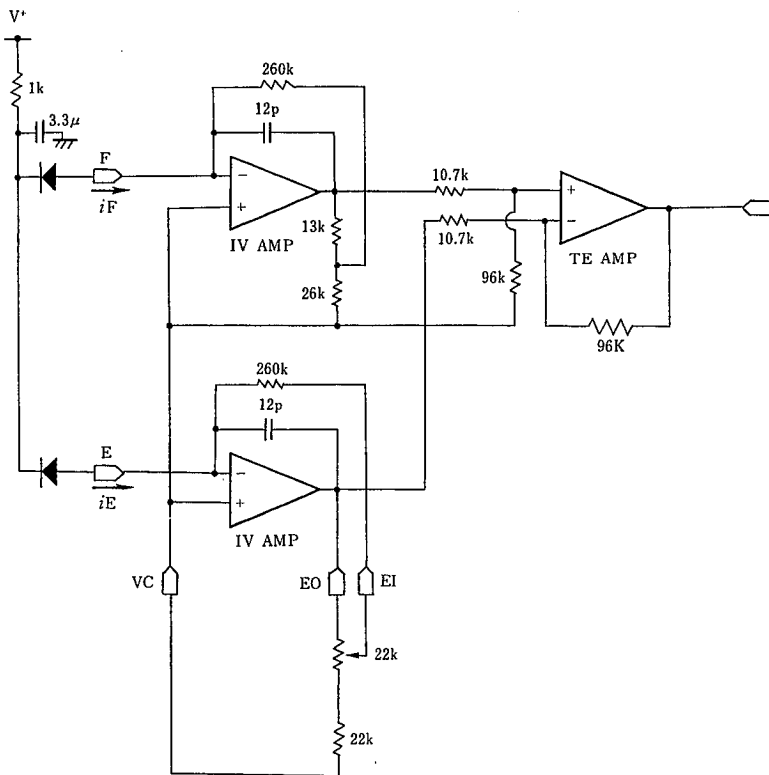
TE AMP

TE OUTPUT

$$V_{TE} = (i_E - i_F)(A) \times 403(k\Omega) \times \frac{96(k\Omega)}{10.7(k\Omega)}$$

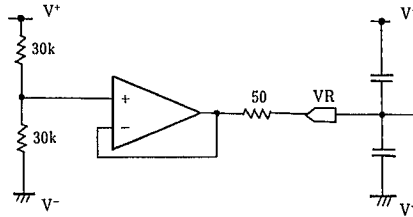
$$= 3616(k\Omega) \times (i_E - i_F)(A)$$

It is possible to trim I-V Gain by resistor with ED pin.



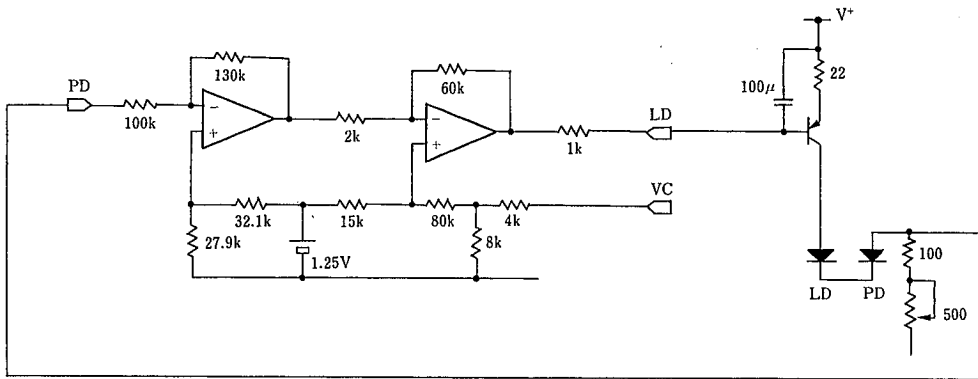
NJM2117

CENTER VOLTAGE GENERATION CIRCUIT



APC CIRCUIT

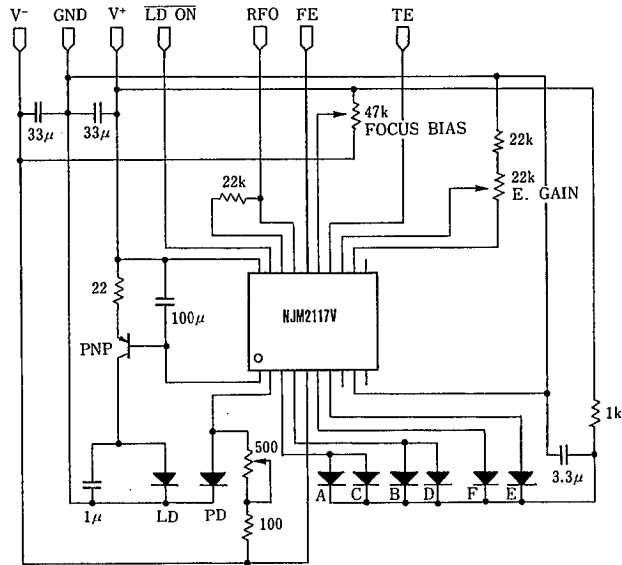
LD ON pin: connect to GND...APC (Auto Power Control) ON
connect to V+...APC (" ") OFF



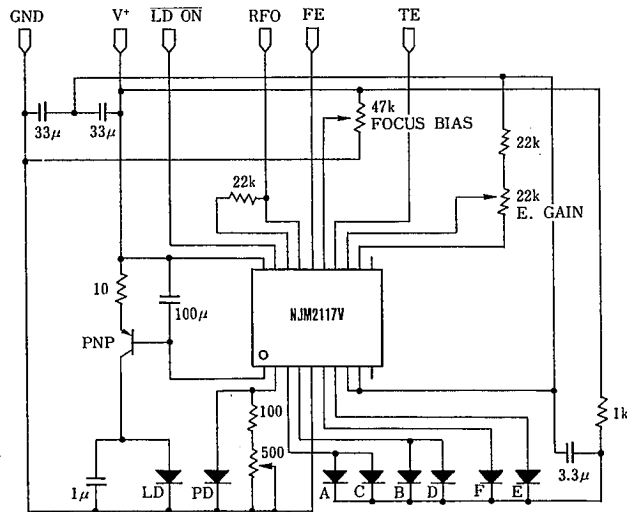
5

■ TYPICAL APPLICATION

1) $\pm 5V$ (TWO SUPPLY VOLTAGE)



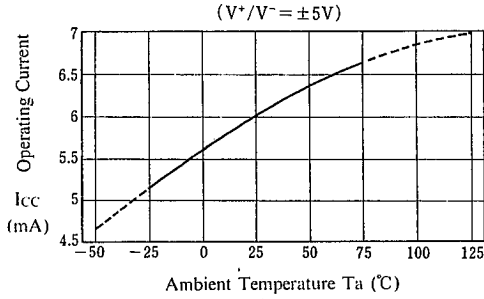
2) +5V (SINGLE SUPPLY VOLTAGE)



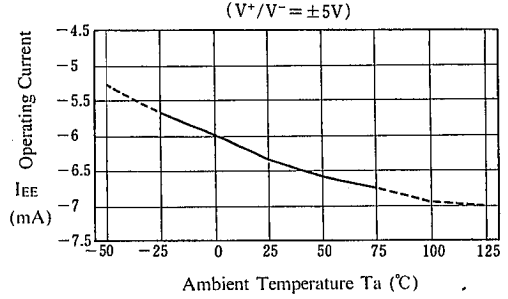
5

■ TYPICAL CHARACTERISTICS

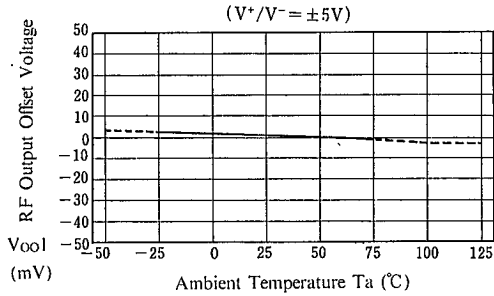
Operating Current (I_{CC}) vs. Temperature



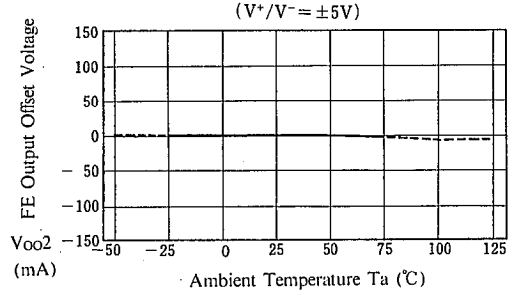
Operating Current (I_{EE}) vs. Temperature



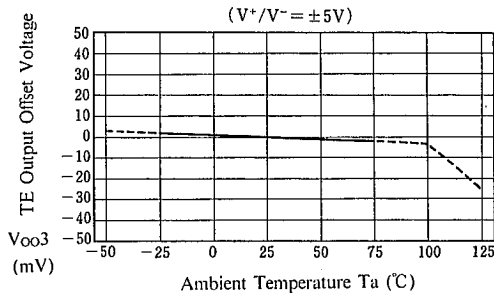
RF Output Offset Voltage vs. Temperature



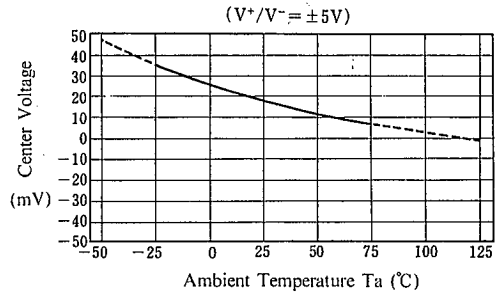
FE Output Offset Voltage vs. Temperature



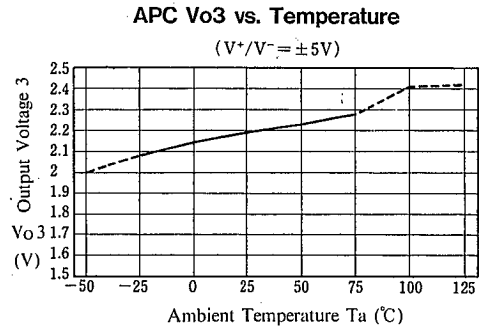
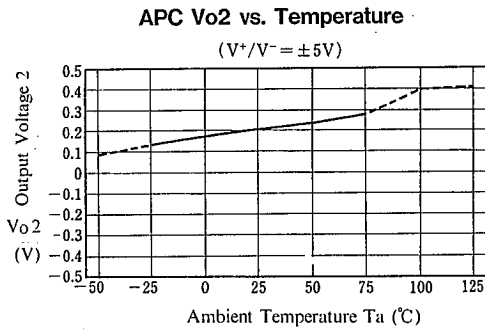
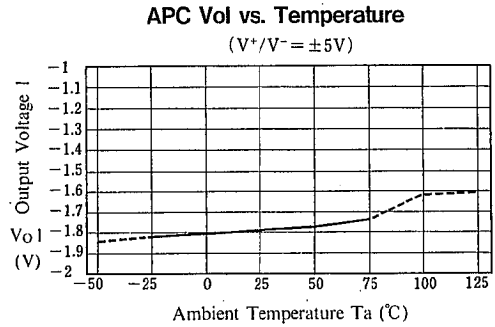
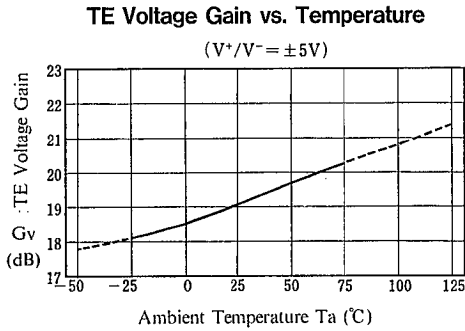
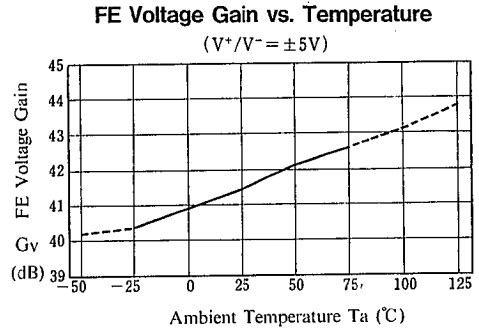
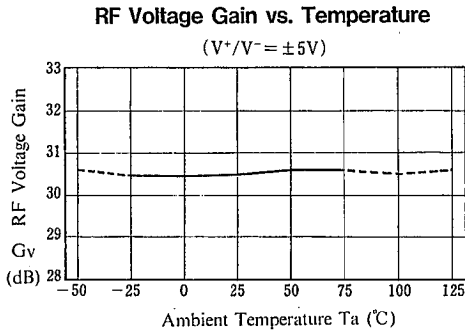
TE Output Offset Voltage vs. Temperature



Center Voltage vs. Temperature

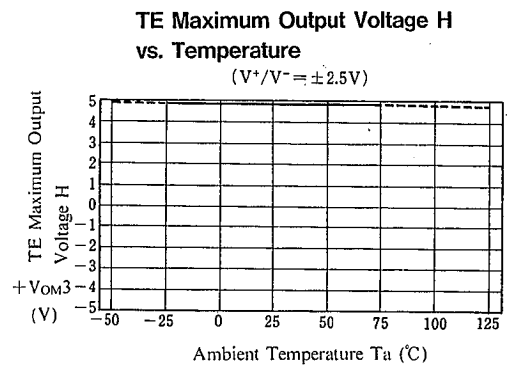
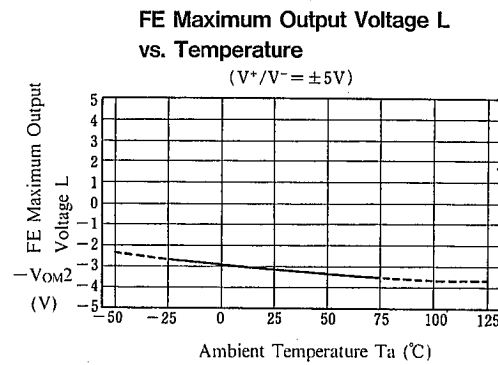
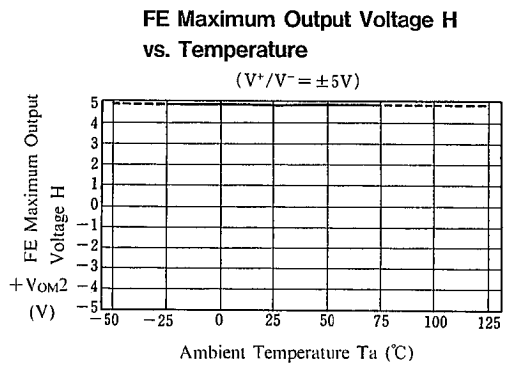
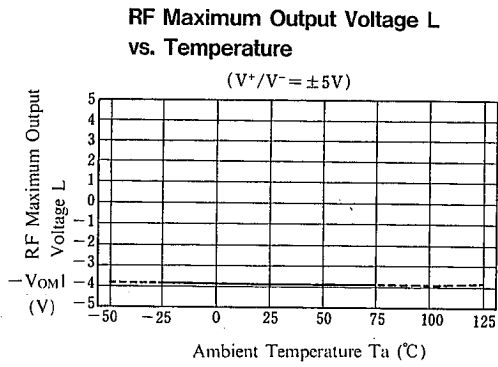
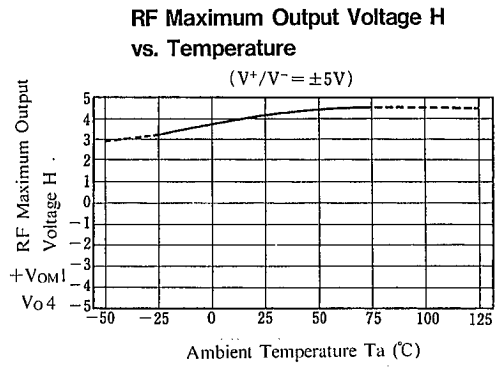
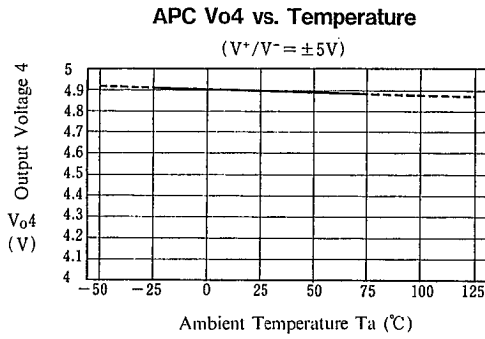


■ TYPICAL CHARACTERISTICS



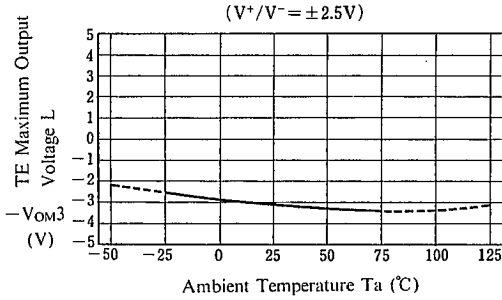
5

■ TYPICAL CHARACTERISTICS

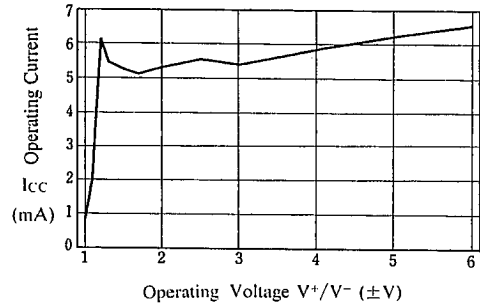


■ TYPICAL CHARACTERISTICS

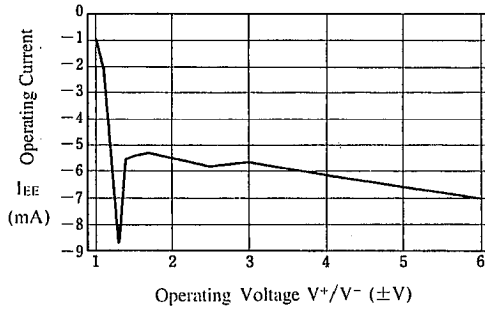
TE Maximum Output Voltage L vs. Temperature
($V^+/V^- = \pm 2.5V$)



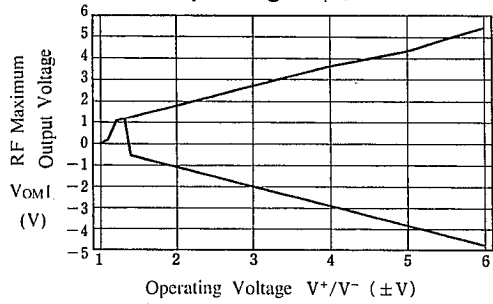
Operating Current(I_{cc}) vs. Operating Voltage



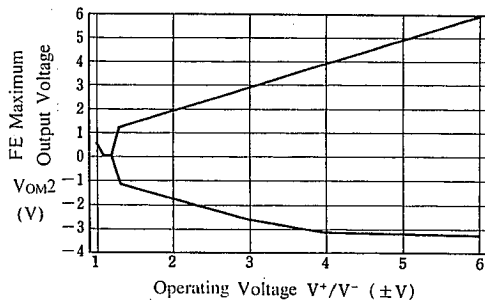
Operating Current(I_{EE}) vs. Operating Voltage



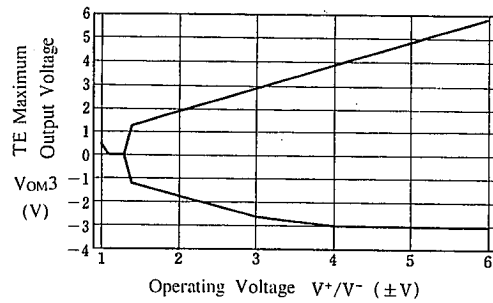
RF Maximum Output Voltage vs. Operating Voltage



FE Maximum Output Voltage vs. Operating Voltage

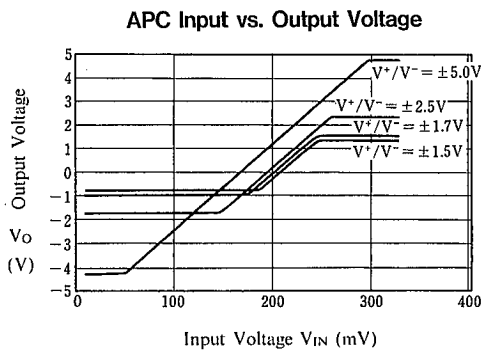


TE Maximum Output Voltage vs. Operating Voltage



5

■ TYPICAL CHARACTERISTICS



5

MEMO

[CAUTION]

The specifications on this databook are only given for information, without any guarantee as regards either mistakes or omissions. The application circuits in this databook are described only to show representative usages of the product and not intended for the guarantee or permission of any right including the industrial rights.

SUNSTAR 商斯达实业集团是集研发、生产、工程、销售、代理经销、技术咨询、信息服务等为一体的高科技企业，是专业高科技电子产品生产厂家，是具有 10 多年历史的专业电子元器件供应商，是中国最早和最大的仓储式连锁规模经营大型综合电子零部件代理分销商之一，是一家专业代理和分销世界各大品牌 IC 芯片和电子元器件的连锁经营综合性国际公司，专业经营进口、国产名厂名牌电子元件，型号、种类齐全。在香港、北京、深圳、上海、西安、成都等全国主要电子市场设有直属分公司和产品展示展销窗口门市部专卖店及代理分销商，已在全国范围内建成强大统一的供货和代理分销网络。我们专业代理经销、开发生产电子元器件、集成电路、传感器、微波光电元器件、工控机/DOC/DOM 电子盘、专用电路、单片机开发、MCU/DSP/ARM/FPGA 软件硬件、二极管、三极管、模块等，是您可靠的一站式现货配套供应商、方案提供商、部件功能模块开发配套商。商斯达实业公司拥有庞大的资料库，有数位毕业于著名高校——有中国电子工业摇篮之称的西安电子科技大学（西军电）并长期从事国防尖端科技研究的高级工程师为您精挑细选、量身订做各种高科技电子元器件，并解决各种技术问题。

微波光电部专业代理经销高频、微波、光纤、光电元器件、组件、部件、模块、整机；电磁兼容元器件、材料、设备；微波 CAD、EDA 软件、开发测试仿真工具；微波、光纤仪器仪表。欢迎国外高科技微波、光纤厂商将优秀产品介绍到中国、共同开拓市场。长期大量现货专业批发高频、微波、卫星、光纤、电视、CATV 器件：晶振、VCO、连接器、PIN 开关、变容二极管、开关二极管、低噪晶体管、功率电阻及电容、放大器、功率管、MMIC、混频器、耦合器、功分器、振荡器、合成器、衰减器、滤波器、隔离器、环行器、移相器、调制解调器；光电子器件和组件：红外发射管、红外接收管、光电开关、光敏管、发光二极管和发光二极管组件、半导体激光二极管和激光器组件、光电探测器和光接收组件、光发射接收模块、光纤激光器和光放大器、光调制器、光开关、DWDM 用光发射和接收器件、用户接入系统光收发器件与模块、光纤连接器、光纤跳线/尾纤、光衰减器、光纤适配器、光隔离器、光耦合器、光环行器、光复用器/转换器；无线收发芯片和模组、蓝牙芯片和模组。

更多产品请看本公司产品专用销售网站：

商斯达中国传感器科技信息网：<http://www.sensor-ic.com/>

商斯达工控安防网：<http://www.pc-ps.net/>

商斯达电子元器件网：<http://www.sunstare.com/>

商斯达微波光电产品网：[HTTP://www.rfoe.net/](http://www.rfoe.net/)

商斯达消费电子产品网：<http://www.icasic.com/>

商斯达实业科技产品网：<http://www.sunstars.cn/> 微波元器件销售热线：

地址：深圳市福田区福华路福庆街鸿图大厦 1602 室

电话：0755-82884100 83397033 83396822 83398585

传真：0755-83376182 (0) 13823648918 MSN: SUNS8888@hotmail.com

邮编：518033 E-mail:szss20@163.com QQ: 195847376

深圳赛格展销部：深圳华强北路赛格电子市场 2583 号 电话：0755-83665529 25059422

技术支持：0755-83394033 13501568376

欢迎索取免费详细资料、设计指南和光盘；产品凡多，未能尽录，欢迎来电查询。

北京分公司：北京海淀区知春路 132 号中发电子大厦 3097 号

TEL: 010-81159046 82615020 13501189838 FAX: 010-62543996

上海分公司：上海市北京东路 668 号上海赛格电子市场 D125 号

TEL: 021-28311762 56703037 13701955389 FAX: 021-56703037

西安分公司：西安高新开发区 20 所(中国电子科技集团导航技术研究所)

西安劳动南路 88 号电子商城二楼 D23 号

TEL: 029-81022619 13072977981 FAX:029-88789382