

7-BAND EVR FOR GRAPHIC EQUALIZER

GENERAL DESCRIPTION

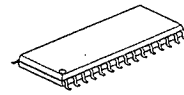
The NJU7305 is a electrical variable resistor(EVR) incorporated 7-band each for left and right channels, especially apply to stereo type graphic equalizer.

It consists of input controller, channel/band/level selector, 14 latches and resistor network blocks of 7 bands each for left and right channels.

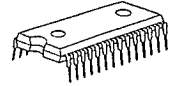
The boost and cut value for each band of each channel can be set independently to each other by the channel/band/level selector controlled by external controller.

The maximum boost and cut range is $\pm 12\text{dB}$ and the boost and cut value is adjusted by $\pm 2\text{dB}$ step.

PACKAGE OUTLINE



NJU7305M

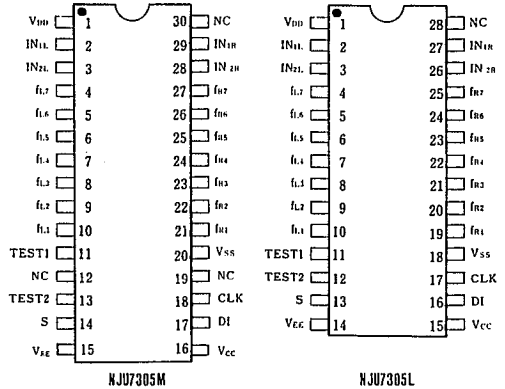


NJU7305L

FEATURES

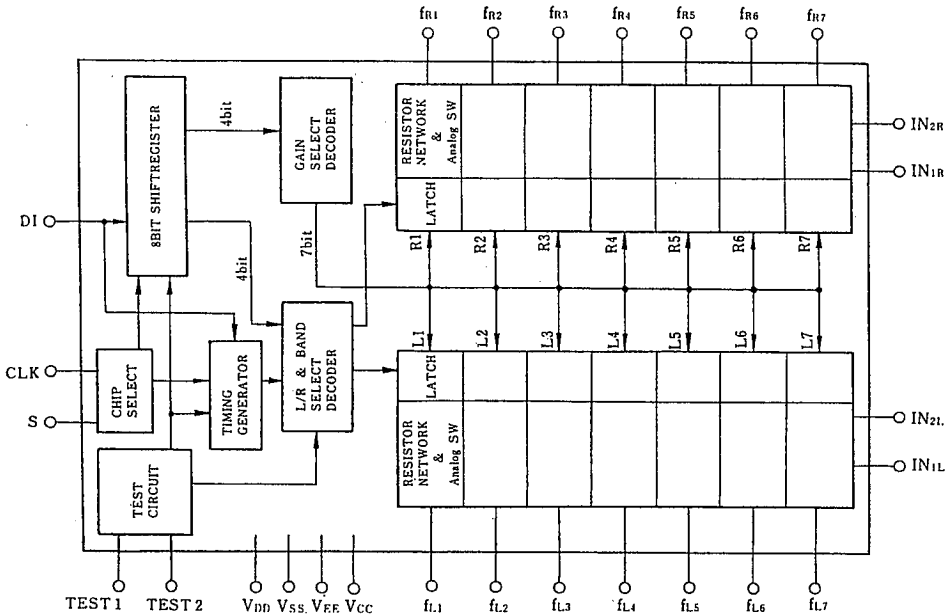
- 7 Bands Each for Left and Right Channels
- Stereo Application Graphic Equalizer
Each Channel Independent Operation
- Maximum Boost and Cut --- $\pm 12\text{dB}$
- Boost and Cut Step --- $\pm 2\text{dB}$
- 8-bit Serial Data for the Equalizing
- Flat Level Setting Function
- Operating Voltage --- 7.5~15V
- Package Outline --- SDMP 30 / SDIP 28
- C-MOS Technology

PIN CONFIGURATION



5

BLOCK DIAGRAM



■ TERMINAL DESCRIPTION

No	Symbol	F u n c t i o n
1	V _{DD}	Power source for Audio signal +7.5V
18	V _{SS}	GND 0V
14	V _{EE}	Power source for Audio signal -7.5V
15	V _{CC}	Power source for Logic +5.0V
2, 27	I _{N1L} , I _{N1R}	Audio signal input terminal. Connect to Op-amp inverting input.
3, 26	I _{N2L} , I _{N2R}	Audio signal input terminal. Connect to Op-amp non-inverting input.
4 to 10	f _{L1} to f _{L7}	Band pass filter connecting terminal. (14 terminals for left/right)
19 to 25	f _{R1} to f _{R7}	
11 12	TEST1 TEST2	Maker Testing terminals. Normally (except testing) connects to the V _{DD} terminal
13	S	Chip-select input terminal.
16	DI	Serial data input terminal.
17	CLK	Clock signal input terminal.

■ FUNCTIONAL DESCRIPTION

(1) Data set and code format

The setting of each band is performed by two signals of data and clock as shown in Fig.1.

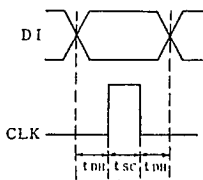
The 8 bits serial data including the information of channel selection (left/right), band selection and its gain are input from DI terminal.

The clock signal input from the CLK terminal shifts the serial data input form DI terminal into the shift register.

The 9th clock signal is used as latch pulse to latch all 8 bits of parallel data in the shift register.

All "1" of 8 bits code are special code to set 0dB for all bands at once. This function is useful for Power On initialization or flat level setting.

< Data and Shift Clock >



The shift clock should be risen after 1μs from the data changing.

t_{sc}=1μs(MIN)

t_{DH}=1μs(MIN)

< Time Chart >

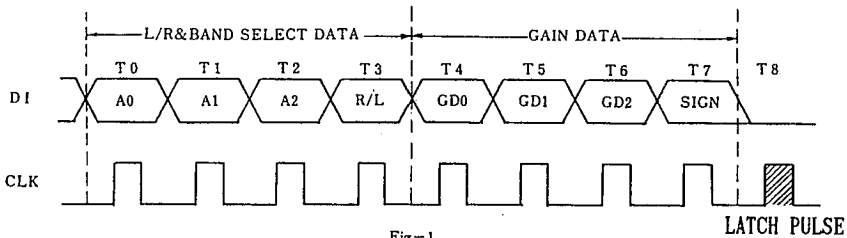


Fig-1

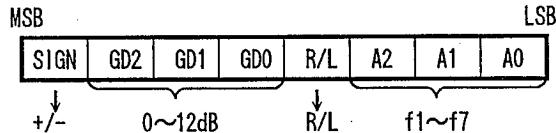
The 9th shift clock is used for the latch pulse. In this time the data must be "0" otherwise (the data is "1") the 9th clock shifts the data and the following clock signal latch the data when input data is "0".

If the error data is latched, the correct data must be set again from the top.

Note: The clock line should be shielded from the noise.

< Data Format >

The data is input by the LSB first format as shown below. And the gain data GD2 to GD0, left/right and band selection data are also shown in below.



GAIN DATA CODE

GAIN	SIGN	GD2	GD1	GD0
12	0	1	1	0
10	0	1	0	1
8	0	1	0	0
6	0	0	1	1
4	0	0	1	0
2	0	0	0	1
0dB	0	0	0	0
-2	1	0	0	1
-4	1	0	1	0
-6	1	0	1	1
-8	1	1	0	0
-10	1	1	0	1
-12	1	1	1	0

R/L & BAND SELECT DATA CODE

R/L	A2	A1	A0	BAND
0	0	0	0	f _{L7}
0	0	0	1	f _{L6}
0	0	1	0	f _{L5}
0	0	1	1	f _{L4}
0	1	0	0	f _{L3}
0	1	0	1	f _{L2}
0	1	1	0	f _{L1}
1	1	1	0	f _{R1}
1	1	0	1	f _{R2}
1	1	0	0	f _{R3}
1	0	1	1	f _{R4}
1	0	1	0	f _{R5}
1	0	0	1	f _{R6}
1	0	0	0	f _{R7}

(2) Chip Select Function

S terminal is a chip select terminal. When the code "1" is input to the S terminal from CPU or other controller, the clock input is activated and the data will be written into the NJU7305(select status). When the code "0" is input to the S terminal, the clock input is not activated and the data will not be written into the NJU7305(unselect status).

S terminal	mode	function
1	Select	The clock input is activated and the data is written into the NJU7305.
0	Unselect	The clock input is not activated and the data is written into the NJU7305.

(3) Power on initialization

The NJU7305 is not incorporated the power on initialization circuits, so that the internal circuits are not defined when the power is turned on. Therefore all "1" of 8 bits serial data with shift clock and latch pulse (9th clock) are required to set the flat state as explained before.

The internal circuits of NJU7305 are initialized by the above operation, then following input will be accepted.

■ ABSOLUTE MAXIMUM RATINGS

(Ta=25°C)

PARAMETER	SYMBOL	RATINGS	UNIT
Supply Voltage	$V_{DD}-V_{EE}$ V_{CC}	16 $V_{SS} \sim V_{SS}+7 (V_{DD} \geq V_{CC})$	V
Input Voltage	V_{IN}	$V_{SS}-0.3 \sim V_{CC}+0.3$ (DI, CLK, S) $V_{EE}-0.3 \sim V_{DD}+0.3$ ($I_{N1L} \sim I_{N2L}, I_{N1R} \sim I_{N2R}$)	V
Power Dissipation	PD	200	mW
Operating Temperature	T_{OPR}	-20 ~ +75	°C
Storage Temperature	T_{STG}	-40 ~ +125	°C

■ ELECTRICAL CHARACTERISTICS

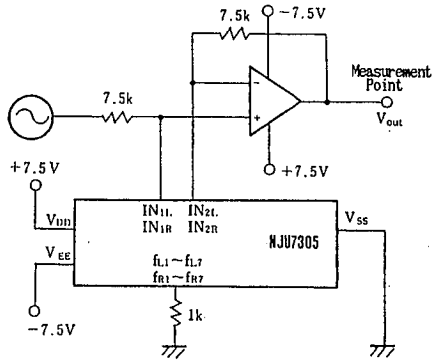
($V_{SS}=0V, V_{DD} \geq V_{CC} > V_{SS} \geq V_{EE}, Ta=25^\circ C$)

PARAMETER	SYMBOL	CONDITIONS	MIN	TYP	MAX	UNIT
Operating Voltage	$V_{DD}-V_{EE}$ V_{CC}	$V_{EE} \geq -7.5V$	7.5 4.5	10 5.0	15 5.5	V
Operating Current	I_{DD} I_{CC}	$V_{DD}-V_{EE}=15V$ $V_{CC}=5V$			1 1	mA
Input Voltage	V_{IH} V_{IL}	CLK, DI, S Terminals	0.8 V_{CC} 0		V_{CC} 0.2 V_{CC}	V
Input Pulse Width	t_{PW}	CLK	1			μS
Setup Time	t_{SV}	DI	1			μS
Holding Time	t_{HLD}	DI	1			μS
Operating Frequency	f_{OPR}	CLK			330	kHz
Total Harmonics Distortion	THD1	Flat Status, f=20kHz		0.005	0.01	%
	THD2	Flat Status, f= 1kHz		0.0015	0.003	
	THD3	Boost Status, f=20kHz		0.04	0.10	
	THD4	Boost Status, f= 1kHz (Circuit 1)		0.015	0.03	
Crosstalk	CT	(Circuit 2)		55		dB
Setting Error	ΔB	$V_{DD}-V_{EE}=15V$ (Circuit 1)	-1		1	dB
Analog SW Off Leakage Current	I_{OFF}	$f_{L1} \sim f_{L7}$ $f_{R1} \sim f_{R7}$			10	μA

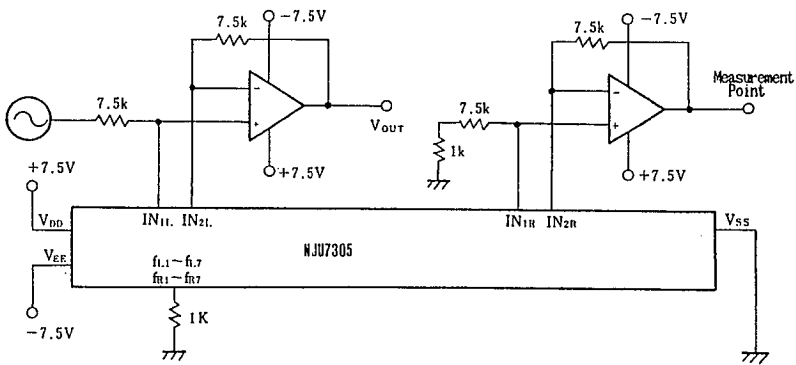
5

MEASUREMENT CIRCUITS

Circuit 1



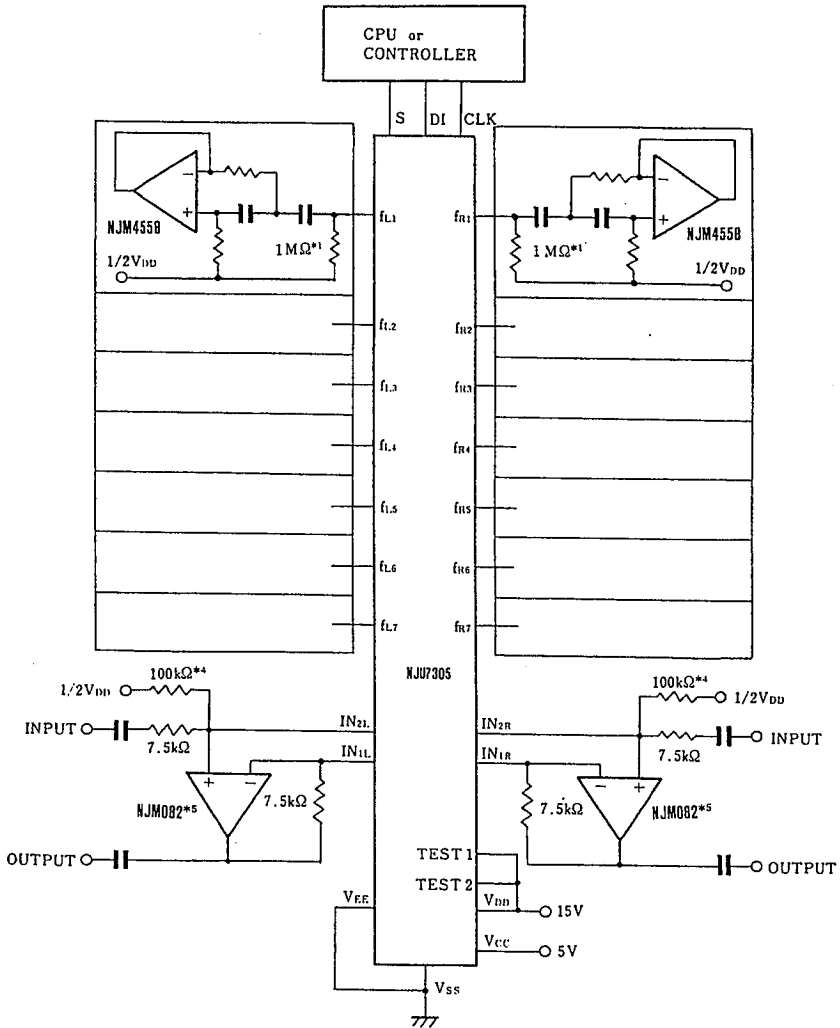
Circuit 2



5

APPLICATION CIRCUIT 1

< Single power supply operation >

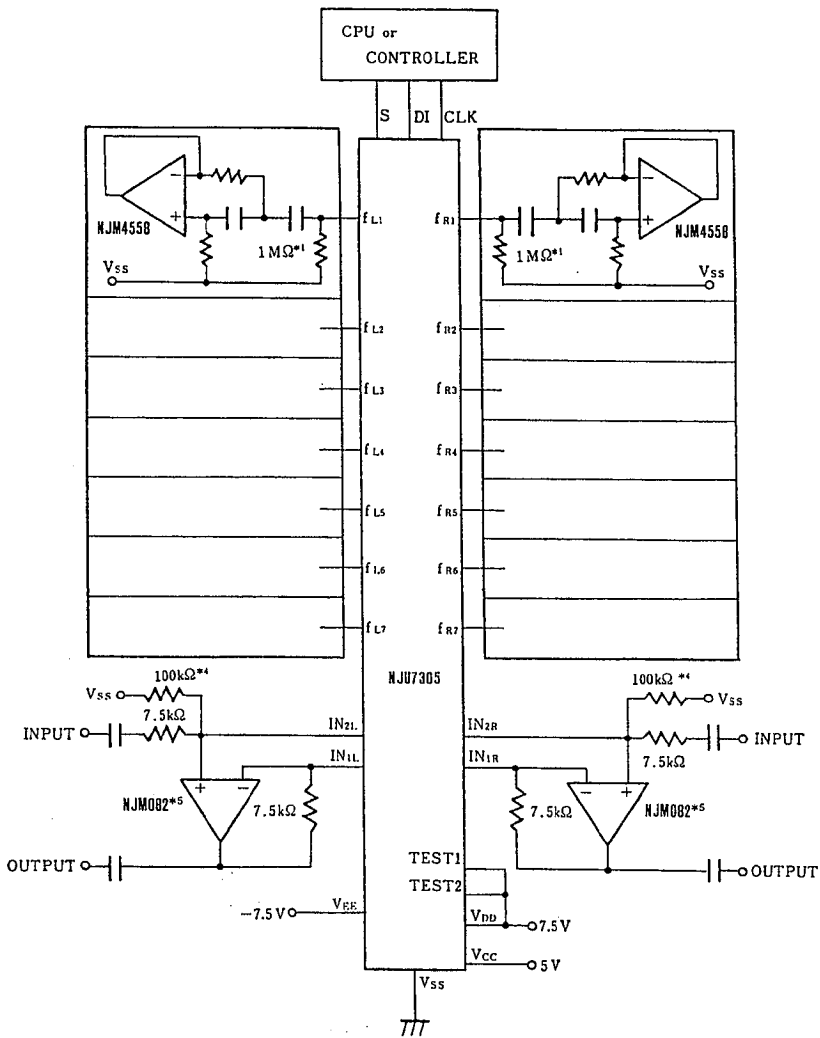


- *1) In order to reduce the pop-noise, connecting $f_{L1} \sim f_{L7}$, $f_{R1} \sim f_{R7}$ to $1/2 V_{DD}$ by $1M\Omega$ resistance is recommended.
- *2) The best conditions for 2dB/step are as follows:
 $V_{DD} = 15V$
 OP-amp feedback resistance: $7.5k\Omega$
 Equivalent LC resonant impedance: $1k\Omega$
- *3) TEST1 and TEST2 terminals are normally connecting to the V_{DD} terminal.
- *4) In order to keep off noise input, connecting to $1/2 V_{DD}$ by $100k\Omega$ resistance is recommended.
- *5) J-FET input OP-AMP is recommended.

5

APPLICATION CIRCUIT 2

< Dual power supply operation >



- *1) In order to reduce the pop-noise, connecting $f_{L1} \sim f_{L7}$, $f_{R1} \sim f_{R7}$ to V_{SS} by $1M\Omega$ resistance is recommended.
- *2) The best conditions for 2dB/step are as follows:
 $V_{DD} = 7.5V$, $V_{EE} = -7.5V$
 OP-amp feedback resistance: $7.5k\Omega$
 Equivalent LC resonant impedance: $1k\Omega$
- *3) TEST1 and TEST2 terminals are normally connecting to the V_{DD} terminal.
- *4) In order to keep off noise input, connecting to $1/2 V_{DD}$ by $100k\Omega$ resistance is recommended.
- *5) J-FET input OP-AMP is recommended.

MEMO

[CAUTION]

The specifications on this databook are only given for information, without any guarantee as regards either mistakes or omissions. The application circuits in this databook are described only to show representative usages of the product and not intended for the guarantee or permission of any right including the industrial rights.

SUNSTAR 商斯达实业集团是集研发、生产、工程、销售、代理经销、技术咨询、信息服务等为一体的高科技企业，是专业高科技电子产品生产厂家，是具有 10 多年历史的专业电子元器件供应商，是中国最早和最大的仓储式连锁规模经营大型综合电子零部件代理分销商之一，是一家专业代理和分销世界各大品牌 IC 芯片和电子元器件的连锁经营综合性国际公司，专业经营进口、国产名厂名牌电子元件，型号、种类齐全。在香港、北京、深圳、上海、西安、成都等全国主要电子市场设有直属分公司和产品展示展销窗口门市部专卖店及代理分销商，已在全国范围内建成强大统一的供货和代理分销网络。我们专业代理经销、开发生产电子元器件、集成电路、传感器、微波光电元器件、工控机/DOC/DOM 电子盘、专用电路、单片机开发、MCU/DSP/ARM/FPGA 软件硬件、二极管、三极管、模块等，是您可靠的一站式现货配套供应商、方案提供商、部件功能模块开发配套商。商斯达实业公司拥有庞大的资料库，有数位毕业于著名高校——有中国电子工业摇篮之称的西安电子科技大学（西军电）并长期从事国防尖端科技研究的高级工程师为您精挑细选、量身订做各种高科技电子元器件，并解决各种技术问题。

微波光电部专业代理经销高频、微波、光纤、光电元器件、组件、部件、模块、整机；电磁兼容元器件、材料、设备；微波 CAD、EDA 软件、开发测试仿真工具；微波、光纤仪器仪表。欢迎国外高科技微波、光纤厂商将优秀产品介绍到中国、共同开拓市场。长期大量现货专业批发高频、微波、卫星、光纤、电视、CATV 器件：晶振、VCO、连接器、PIN 开关、变容二极管、开关二极管、低噪晶体管、功率电阻及电容、放大器、功率管、MMIC、混频器、耦合器、功分器、振荡器、合成器、衰减器、滤波器、隔离器、环行器、移相器、调制解调器；光电子元件和组件：红外发射管、红外接收管、光电开关、光敏管、发光二极管和发光二极管组件、半导体激光二极管和激光器组件、光电探测器和光接收组件、光发射接收模块、光纤激光器和光放大器、光调制器、光开关、DWDM 用光发射和接收器件、用户接入系统光收发器件与模块、光纤连接器、光纤跳线/尾纤、光衰减器、光纤适配器、光隔离器、光耦合器、光环行器、光复用器/转换器；无线收发芯片和模组、蓝牙芯片和模组。

更多产品请看本公司产品专用销售网站：

商斯达中国传感器科技信息网：<http://www.sensor-ic.com/>

商斯达工控安防网：<http://www.pc-ps.net/>

商斯达电子元器件网：<http://www.sunstare.com/>

商斯达微波光电产品网：[HTTP://www.rfoe.net/](http://www.rfoe.net/)

商斯达消费电子产品网：<http://www.icasic.com/>

商斯达实业科技产品网：<http://www.sunstars.cn/> 微波元器件销售热线：

地址：深圳市福田区福华路福庆街鸿图大厦 1602 室

电话：0755-82884100 83397033 83396822 83398585

传真：0755-83376182 (0) 13823648918 MSN: SUNS8888@hotmail.com

邮编：518033 E-mail:szss20@163.com QQ: 195847376

深圳赛格展销部：深圳华强北路赛格电子市场 2583 号 电话：0755-83665529 25059422

技术支持：0755-83394033 13501568376

欢迎索取免费详细资料、设计指南和光盘；产品凡多，未能尽录，欢迎来电查询。

北京分公司：北京海淀区知春路 132 号中发电子大厦 3097 号

TEL: 010-81159046 82615020 13501189838 FAX: 010-62543996

上海分公司：上海市北京东路 668 号上海赛格电子市场 D125 号

TEL: 021-28311762 56703037 13701955389 FAX: 021-56703037

西安分公司：西安高新开发区 20 所(中国电子科技集团导航技术研究所)

西安劳动南路 88 号电子商城二楼 D23 号

TEL: 029-81022619 13072977981 FAX:029-88789382