

## Digital Audio Delay

### ■ General Description

The NJU26901 is a digital audio delay. The NJU26901 provides delay-time adjustment function and digital audio interface.

### ■ Package



### ■ FEATURES

- 2-Channel Audio Delay (24 bits data width).  
Delay Time 85msec at fs = 48kHz ( 128msec at fs = 32kHz , 43msec at fs = 96kHz)
- 4 delay time modes(  $\frac{1}{4}$ ,  $\frac{1}{2}$ ,  $\frac{3}{4}$ , 1 max. delay ) are selectable without a micro-computer.
- To make long delay time, the NJU26901 can be connected serially.
- Non-audio-signal data can be delayed by the NJU26901.

### NJU26901E2

### ■ Hardware Specification

- |                                   |   |   |
|-----------------------------------|---|---|
| • Digital Audio Interface         | : | 1 Input port / 1 Output port                  |
| • Digital Audio Format            | : | I <sup>2</sup> S 24bit BCK : 64fs, Slave Mode |
| • Audio Bit Clock (BCK) Frequency | : | 13MHz Max ( approximate fs=200KHz)            |
| • Package                         | : | EMP8 Pb-Free                                  |
| • Power Supply                    | : | 2.5V ( +3.3V tolerant )                       |

## ■ Function Block Diagram

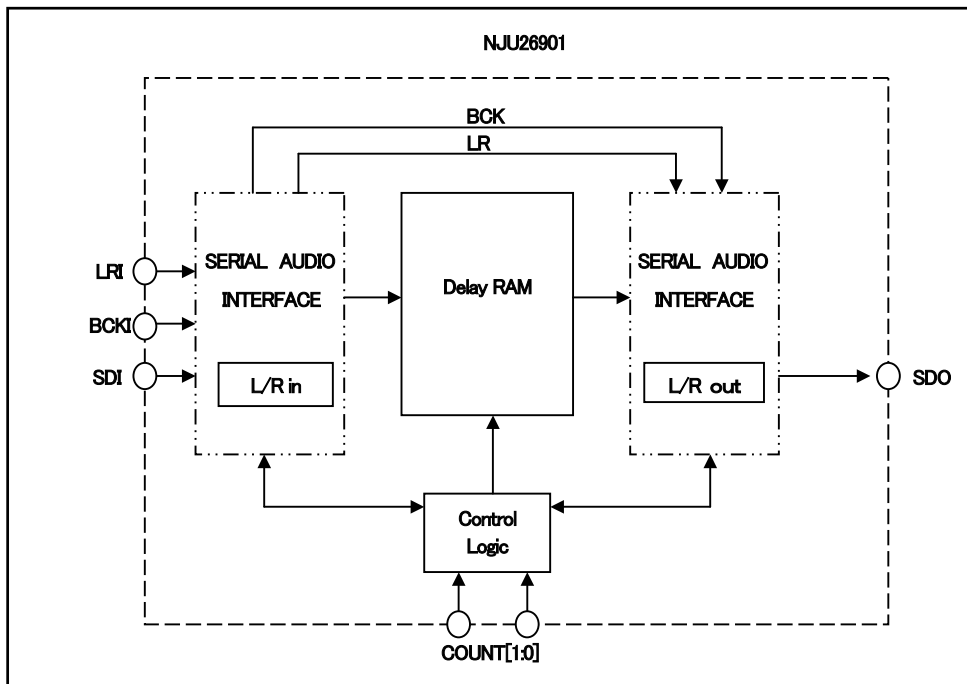


Fig. 1 Function Block Diagram

## ■ Pin Assignment

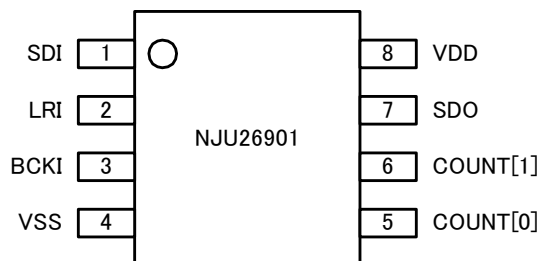


Fig. 2 Pin Assignment

## ■ Pin Description

Table 1 Pin Description

No.	Symbol	I/O	Description
1	SDI	I	Audio Data Input
2	LRI	I	LR Clock Input
3	BCKI	I	Bit Clock Input
4	VSS	G	GND
5	COUNT[0]	I*	Delay Time Control 0
6	COUNT[1]	I*	Delay Time Control 1
7	SDO	O	Audio Data Output
8	VDD	P	Power Supply +2.5V

I : Input, I\* : Input(internal pull-up), O : Output, P: +Power, G : GND

## ■ Absolute Maximum Ratings

**Table 2 Absolute Maximum Ratings**

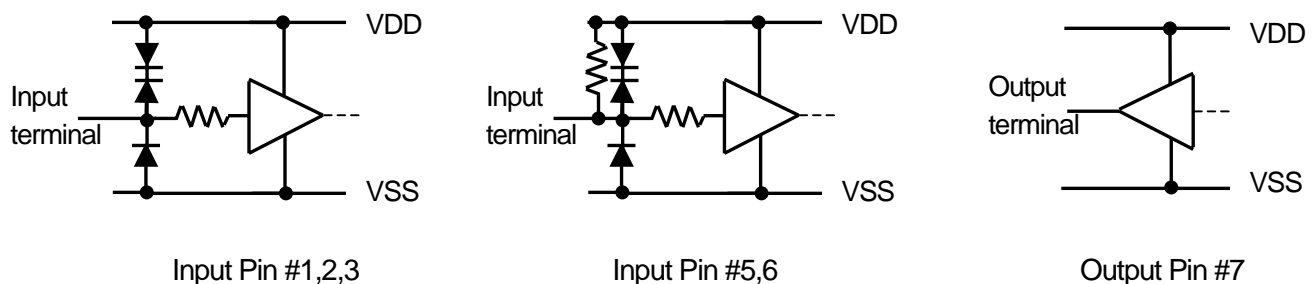
Parameter	Symbol	Rating	Units
Power Supply Voltage	$V_{DD}$	-0.3 to +3.0	V
Input,Output Pin Voltage	$V_{TM}$	-0.3 to +3.6	V
Power Dissipation	$P_D$	100	mW
Storage Temperature	$T_{STR}$	-40 to +125	°C

## ■ Electric Characteristics

**Table 3 Electric Characteristics ( $V_{DD}=2.5V, T_a=25^\circ C$ )**

Parameter	Symbol	Test Condition	Min.	Typ.	Max.	Units
Operating $V_{DD}$ Voltage	$V_{DD}$		2.25	2.5	2.75	V
Operating Current	$I_{DD}$	BCKI:13MHz SDO:C <sub>L</sub> =25pF	-	1.0	-	mA
Operating Temperature	$T_{OPR}$		-40	25	85	°C
High Level Input Voltage	$V_{IH}$		2.0	-	3.6	V
Low Level Input Voltage	$V_{IL}$		-	-	0.5	V
High Level Output Voltage	$V_{OH}$	$I_{OH} = -2mA$ $I_{OH} = -100uA$	$V_{DD}-0.4$ $V_{DD}-0.1$	-	-	V
Low Level Output Voltage	$V_{OL}$	$I_{OL} = 2mA$ $I_{OL} = 100uA$	-	-	0.4 0.1	V
Input Current	$I_{IN}$	$V_{IN} = V_{SS} \sim 3.6V$	-15	-	+15	uA
Input Current	$I_{IN(PU)}$	$V_{IN} = V_{SS} \sim 3.6V$	-100	-	+15	uA
Input Capacitance	$C_{IN}$		-	10	-	pF
Input Rise/Fall transition Time	$t_r / t_f$		-	-	100	ns

## ■ Equivalent Circuit

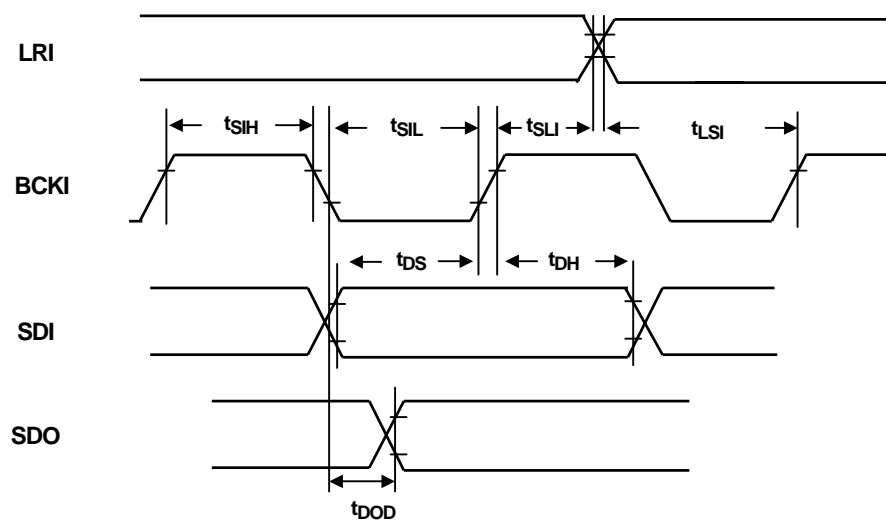


**Fig. 3 Input Terminal Equivalent Circuit**

## Serial Audio Timing

**Table 4 Serial Audio Input Timing Parameters**

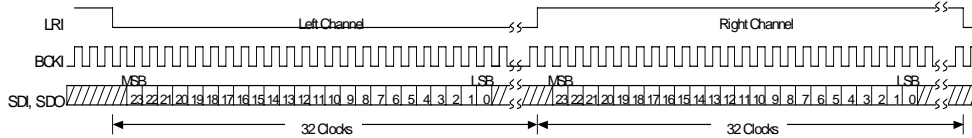
Parameter	Symbol	Test Condition	Min	Typ.	Max	Units
BCKI Frequency	$f_{BCK}$		-	-	13	MHz
BCKI Period						
L Pulse Width	$t_{SIL}$		35	-	-	ns
H Pulse Width	$t_{SIH}$		35	-	-	ns
BCKI to LRI Time	$T_{SLI}$		15	-	-	ns
LRI to BCKI Time	$t_{LSI}$		15	-	-	ns
Data Setup Time	$t_{DS}$		15	-	-	ns
Data Hold Time	$t_{DH}$		15	-	-	ns
Data Output Delay	$t_{DOD}$	SDO:C <sub>L</sub> =25pF		-	15	ns



**Fig. 4 Serial Audio Input / Output Timing**

## Serial Audio Interface

Digital Audio format is I<sup>2</sup>S 24bit 64fs in fig. 5. The input and output format are the same I<sup>2</sup>S 24bit 64fs.



**Fig 5 Digital Audio Format (I<sup>2</sup>S 24bits 64fs)**

## Function Description

- SDI(#1) is serial audio input pin. The input audio data should be connected to this pin. The NJU26901 fetches in the input audio data every LRI edge.
- LRI(#2) is LR clock input pin. This LR clock frequency is the same frequency of the input audio signal. LRI="Low" shows SDI and SDO data are left channel data. LRI="High" shows SDI and SDO data are right channel data.
- BCKI(#3) is bit clock input pin. This BCKI clock frequency is 64 times as large as the input audio signal.
- SDO(#7) is serial audio output pin. The delayed audio data come out through this pin.
- VDD(#8) is 2.5V power supply pin. VSS(#4) is GND pin. The decoupling capacitor is necessary between VDD and VSS.
- The input pins can interface to 3.3V ICs. The output pins can interface to 2.5V ICs. Refer to table3 "Electric Characteristics".
- After Power-on RESET, there is possibility the NJU26901 generates random data for the delay time period set by COUNT[0],[1] pins. If necessary, the mute circuit should be added.

## Delay Time

- The NJU26901 provides maximum 4097 samples delay and slave-mode audio interface. The delay time depends on sampling frequency.
- Delay time is controlled by COUNT[0], COUNT[1]. Table 5 shows Delay Time vs Sampling Frequency.
- Detail delay time is evaluated by the following formula.
 
$$\text{Delay time} = \{1/(fs)\} \times (\text{sampling number} + 1) \quad [\text{sec}]$$
- The sampling number is incremented every LRI clock.

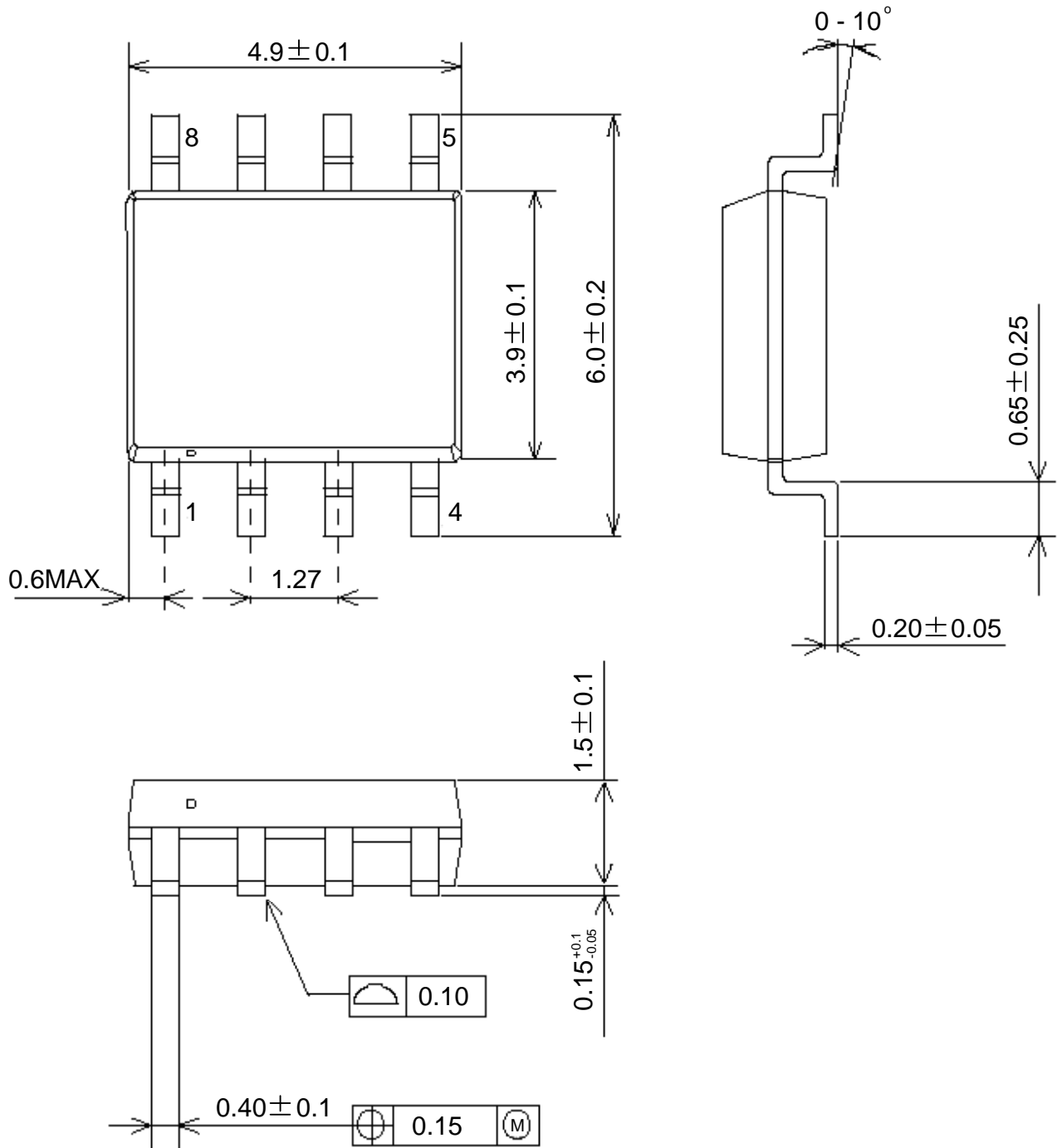
**Table 5 Delay Time vs Sampling Frequency**

Sampling Frequency (fs)	4/4 (COUNT[1:0]=11)	3/4 (COUNT[1:0]=01)	1/2 (COUNT[1:0]= 10)	1/4 (COUNT[1:0]= 00)
192KHz	21ms	16ms	11ms	5ms
96KHz	43ms	32ms	21ms	11ms
88.1KHz	47ms	35ms	23ms	12ms
48KHz	85ms	64ms	43ms	21ms
44.1KHz	93ms	69ms	46ms	23ms
32KHz	128ms	96ms	64ms	32ms
Sampling number	(4097)	(3073)	(2049)	(1025)



## ■ Package Dimensions

EMP8



Unit : mm

Fig. 7 Package Dimensions

[CAUTION]

The specifications on this databook are only given for information, without any guarantee as regards either mistakes or omissions. The application circuits in this databook are described only to show representative usages of the product and not intended for the guarantee or permission of any right including the industrial rights.