
HM62V16100I Series

Wide Temperature Range Version
16 M SRAM (1-Mword × 16-bit)

REJ03C0060-0200Z
Rev. 2.00
Oct.06.2003

Description

The HM62V16100I Series is 16-Mbit static RAM organized 1-Mword × 16-bit. HM62V16100I Series has realized higher density, higher performance and low power consumption by employing CMOS process technology (6-transistor memory cell). It offers low power standby power dissipation; therefore, it is suitable for battery backup systems. It has the package variations of 48-bump chip size package with 0.75 mm bump pitch and 48-pin plastic TSOPI for high density surface mounting.

Features

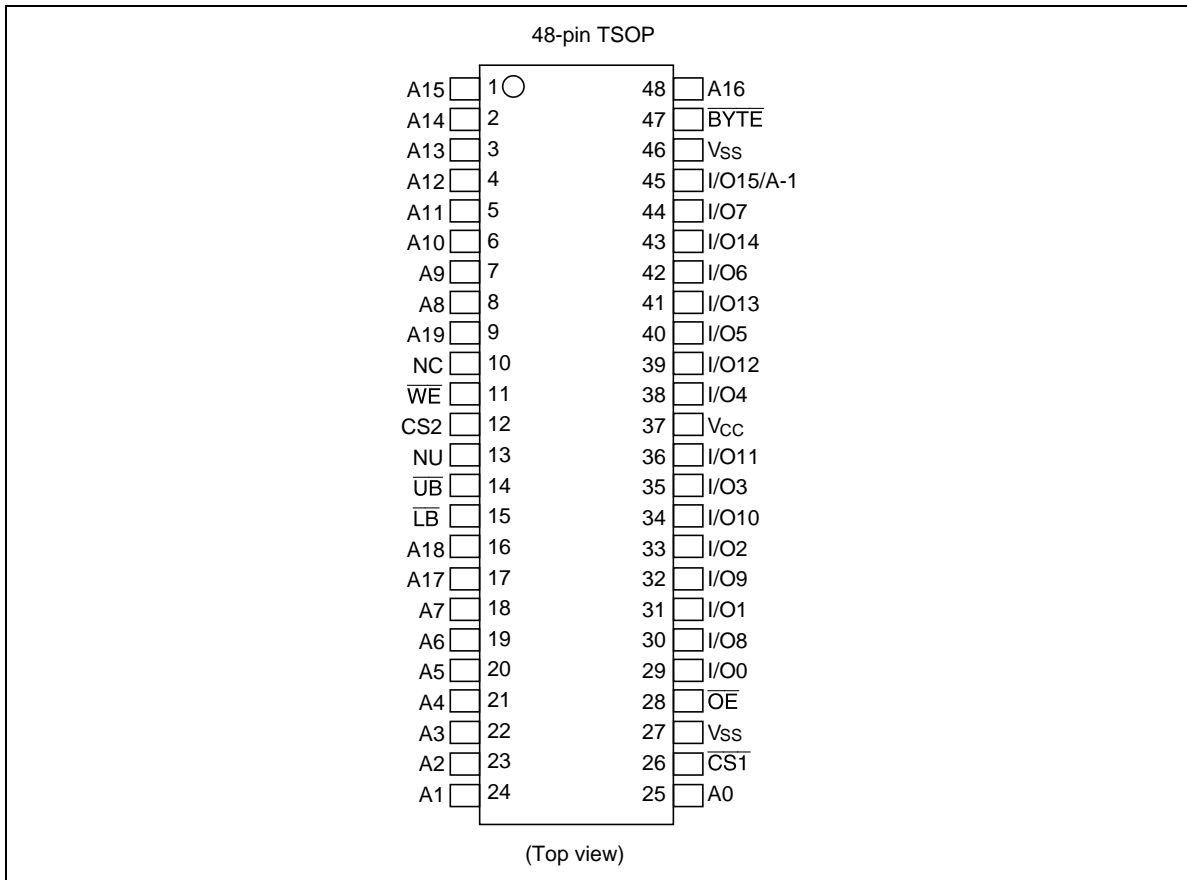
- Single 3.0 V supply: 2.7 V to 3.6 V
- Fast access time: 45/55 ns (max)
- Power dissipation:
 - Active: 9 mW/MHz (typ)
 - Standby: 1.5 μW (typ)
- Completely static memory.
 - No clock or timing strobe required
- Equal access and cycle times
- Common data input and output.
 - Three state output
- Battery backup operation.
 - 2 chip selection for battery backup
- Temperature range: -40 to +85°C

HM62V16100I Series

Ordering Information

Type No.	Access time	Package
HM62V16100LTI-4	45 ns	48-pin plastic TSOPI (normal-bend type) (TFP-48DA)
HM62V16100LTI-4SL	45 ns	
HM62V16100LTI-5SL	55 ns	
HM62V16100LBPI-4	45 ns	48-bump CSP with 0.75 mm bump pitch (TBP-48F)
HM62V16100LBPI-4SL	45 ns	
HM62V16100LBPI-5SL	55 ns	

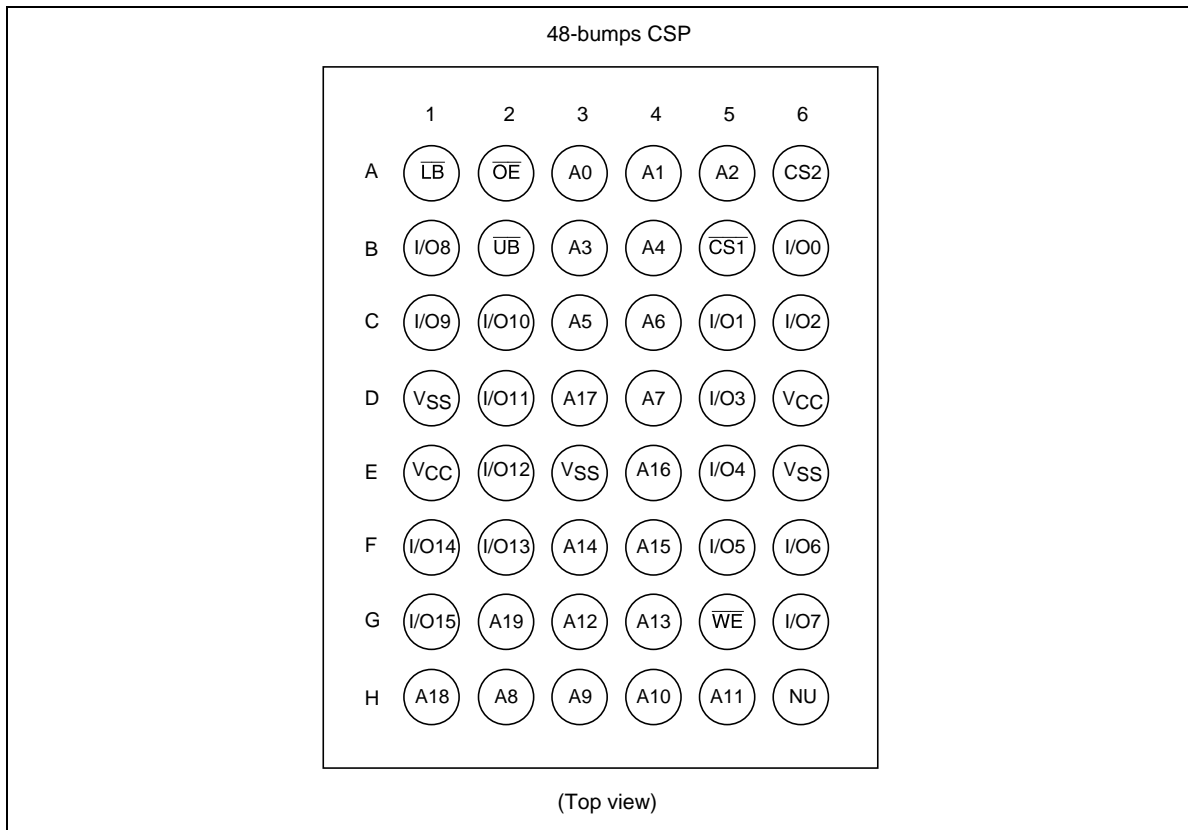
Pin Arrangement



Pin Description (TSOP)

Pin name	Function
A0 to A19	Address input (word mode)
A-1 to A19	Address input (byte mode)
I/O0 to I/O15	Data input/output
$\overline{\text{CS1}}$	Chip select 1
$\overline{\text{CS2}}$	Chip select 2
$\overline{\text{WE}}$	Write enable
$\overline{\text{OE}}$	Output enable
$\overline{\text{LB}}$	Lower byte select
$\overline{\text{UB}}$	Upper byte select
$\overline{\text{BYTE}}$	Byte enable
V_{cc}	Power supply
V_{ss}	Ground
NC	No connection
NU* ¹	Not used (test mode pin)

Note: 1. This pin should be connected to a ground (V_{ss}), or not be connected (open).

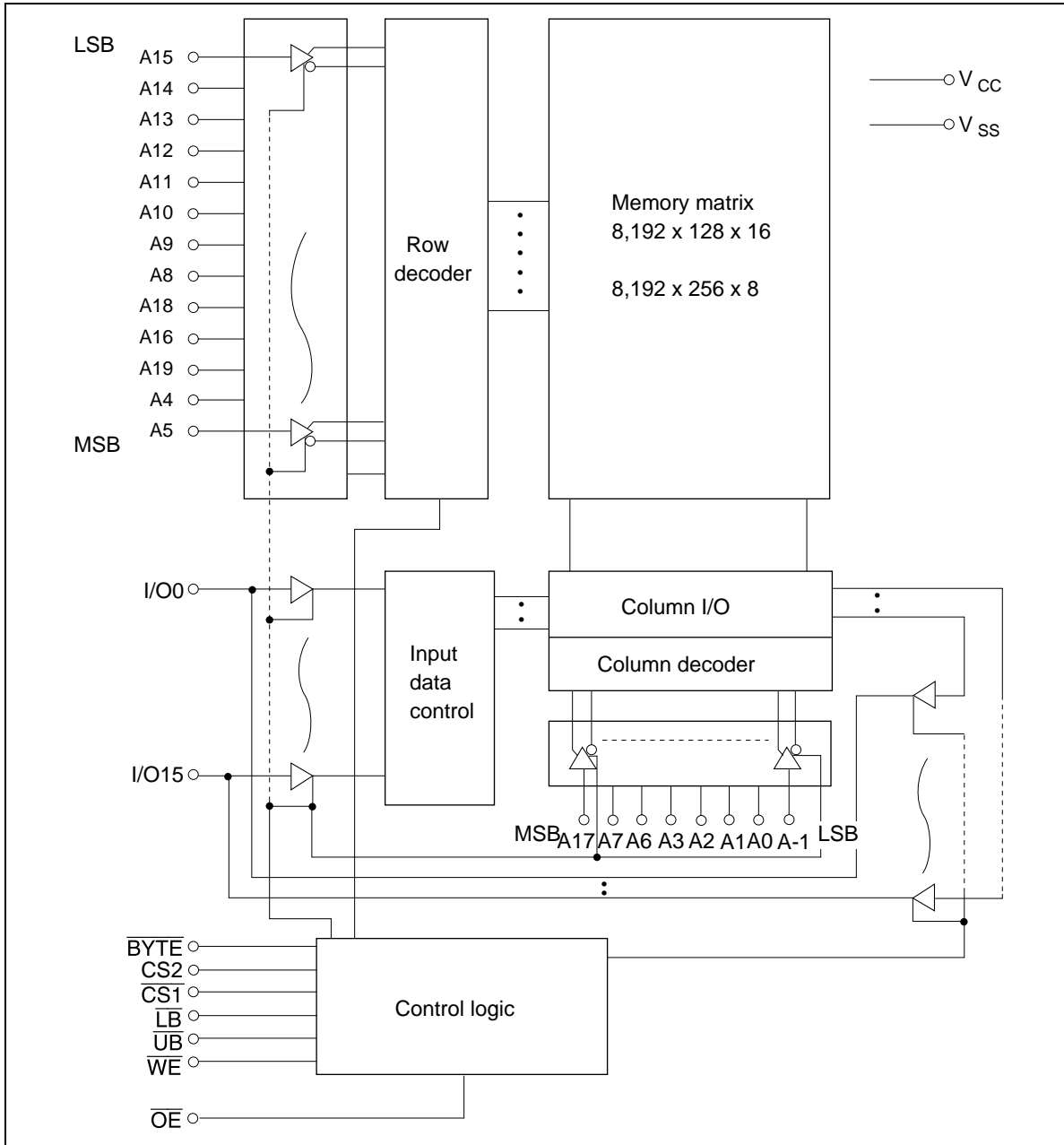


Pin Description (CSP)

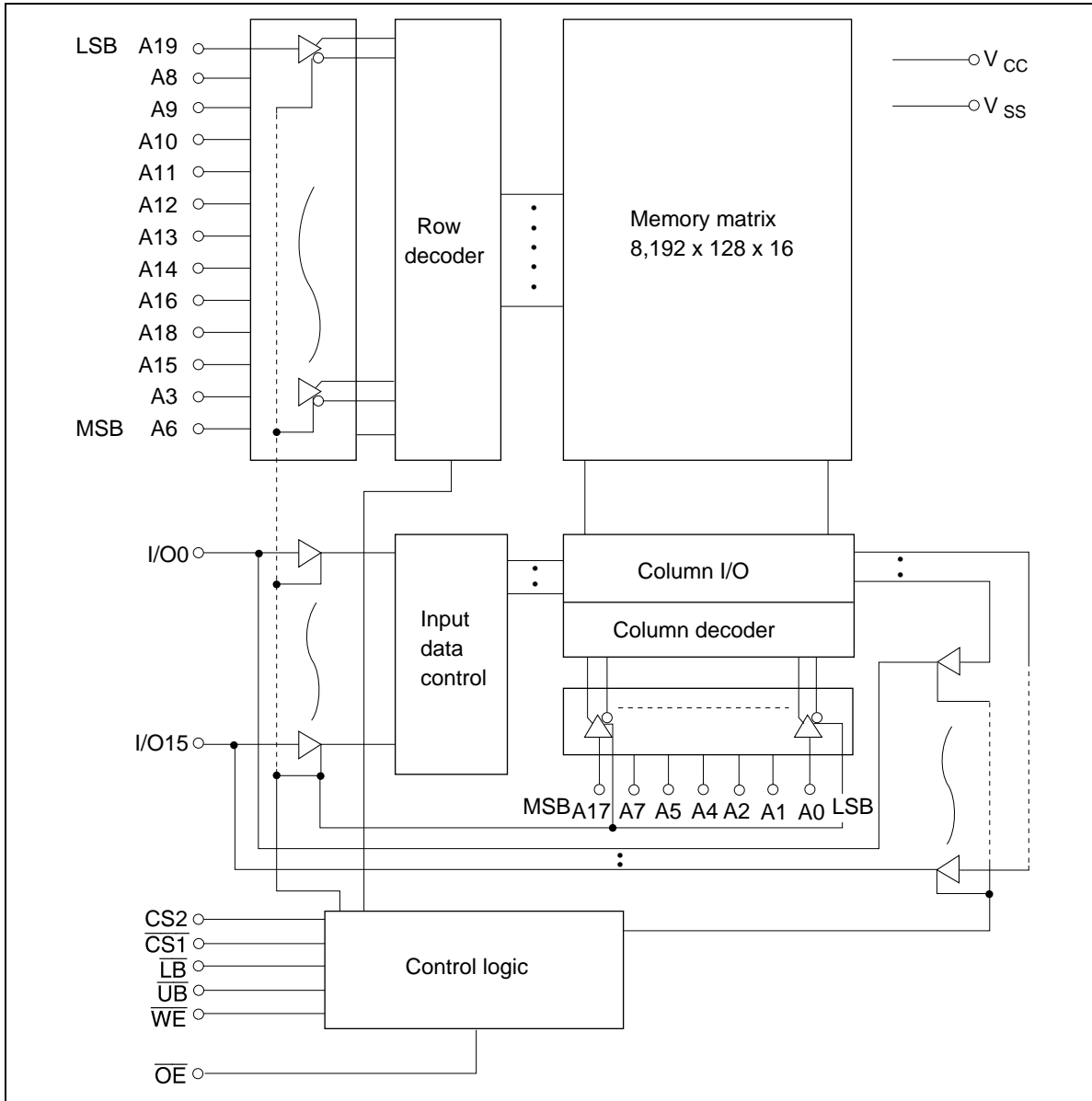
Pin name	Function
A0 to A19	Address input
I/O0 to I/O15	Data input/output
CS1	Chip select 1
CS2	Chip select 2
WE	Write enable
OE	Output enable
LB	Lower byte select
UB	Upper byte select
V _{cc}	Power supply
V _{ss}	Ground
NU* ¹	Not used (test mode pin)

Note: 1. This pin should be connected to a ground (V_{ss}), or not be connected (open).

Block Diagram (TSOP)



Block Diagram (CSP)



Operation Table (TSOP)

Byte mode

$\overline{CS1}$	CS2	\overline{WE}	\overline{OE}	\overline{UB}	\overline{LB}	\overline{BYTE}	I/O0 to I/O7	I/O8 to I/O14	I/O15	Operation
H	x	x	x	x	x	L	High-Z	High-Z	High-Z	Standby
x	L	x	x	x	x	L	High-Z	High-Z	High-Z	Standby
L	H	H	L	x	x	L	Dout	High-Z	A-1	Read
L	H	L	x	x	x	L	Din	High-Z	A-1	Write
L	H	H	H	x	x	L	High-Z	High-Z	High-Z	Output disable

Note: H: V_{IH} , L: V_{IL} , x: V_{IH} or V_{IL}

Word mode

$\overline{CS1}$	CS2	\overline{WE}	\overline{OE}	\overline{UB}	\overline{LB}	\overline{BYTE}	I/O0 to I/O7	I/O8 to I/O14	I/O15	Operation
H	x	x	x	x	x	H	High-Z	High-Z	High-Z	Standby
x	L	x	x	x	x	H	High-Z	High-Z	High-Z	Standby
x	x	x	x	H	H	H	High-Z	High-Z	High-Z	Standby
L	H	H	L	L	L	H	Dout	Dout	Dout	Read
L	H	H	L	H	L	H	Dout	High-Z	High-Z	Lower byte read
L	H	H	L	L	H	H	High-Z	Dout	Dout	Upper byte read
L	H	L	x	L	L	H	Din	Din	Din	Write
L	H	L	x	H	L	H	Din	High-Z	High-Z	Lower byte write
L	H	L	x	L	H	H	High-Z	Din	Din	Upper byte write
L	H	H	H	x	x	H	High-Z	High-Z	High-Z	Output disable

Note: H: V_{IH} , L: V_{IL} , x: V_{IH} or V_{IL}

HM62V16100I Series

Operation Table (CSP)

$\overline{CS1}$	CS2	\overline{WE}	\overline{OE}	\overline{UB}	\overline{LB}	I/O0 to I/O7	I/O8 to I/O15	Operation
H	×	×	×	×	×	High-Z	High-Z	Standby
×	L	×	×	×	×	High-Z	High-Z	Standby
×	×	×	×	H	H	High-Z	High-Z	Standby
L	H	H	L	L	L	Dout	Dout	Read
L	H	H	L	H	L	Dout	High-Z	Lower byte read
L	H	H	L	L	H	High-Z	Dout	Upper byte read
L	H	L	×	L	L	Din	Din	Write
L	H	L	×	H	L	Din	High-Z	Lower byte write
L	H	L	×	L	H	High-Z	Din	Upper byte write
L	H	H	H	×	×	High-Z	High-Z	Output disable

Note: H: V_{IH} , L: V_{IL} , ×: V_{IH} or V_{IL}

Absolute Maximum Ratings

Parameter	Symbol	Value	Unit
Power supply voltage relative to V_{SS}	V_{CC}	-0.5 to +4.6	V
Terminal voltage on any pin relative to V_{SS}	V_T	-0.5* ¹ to $V_{CC} + 0.3$ * ²	V
Power dissipation	P_T	1.0	W
Storage temperature range	Tstg	-55 to +125	°C
Storage temperature range under bias	Tbias	-40 to +85	°C

Notes: 1. V_T min: -2.0 V for pulse half-width \leq 10 ns.

2. Maximum voltage is +4.6 V.

DC Operating Conditions

Parameter	Symbol	Min	Typ	Max	Unit	Note
Supply voltage	V_{CC}	2.7	3.0	3.6	V	
	V_{SS}	0	0	0	V	
Input high voltage	V_{IH}	2.2	—	$V_{CC} + 0.3$	V	
Input low voltage	V_{IL}	-0.3	—	0.6	V	1
Ambient temperature range	Ta	-40	—	+85	°C	

Note: 1. V_{IL} min: -2.0 V for pulse half-width \leq 10 ns.

DC Characteristics

Parameter	Symbol	Min	Typ* ¹	Max	Unit	Test conditions* ²
Input leakage current	$ I_{iL} $	—	—	1	μA	$V_{in} = V_{SS}$ to V_{CC}
Output leakage current	$ I_{oL} $	—	—	1	μA	$\overline{CS1} = V_{IH}$ or $CS2 = V_{IL}$ or $\overline{OE} = V_{IH}$ or $\overline{WE} = V_{IL}$ or $\overline{LB} = \overline{UB} = V_{IH}$, $V_{IO} = V_{SS}$ to V_{CC}
Operating current	I_{CC}	—	—	20	mA	$\overline{CS1} = V_{IL}$, $CS2 = V_{IH}$, Others = V_{IH}/V_{IL} , $I_{IO} = 0$ mA
Average operating current	I_{CC1} (READ)	—	22	35	mA	Min. cycle, duty = 100%, $I_{IO} = 0$ mA, $\overline{CS1} = V_{IL}$, $CS2 = V_{IH}$, $\overline{WE} = V_{IH}$, Others = V_{IH}/V_{IL}
	I_{CC1}	—	30	50	mA	Min. cycle, duty = 100%, $I_{IO} = 0$ mA, $\overline{CS1} = V_{IL}$, $CS2 = V_{IH}$, Others = V_{IH}/V_{IL}
	I_{CC2} * ⁵ (READ)	—	3	8	mA	Cycle time = 70 ns, duty = 100%, $I_{IO} = 0$ mA, $\overline{CS1} = V_{IL}$, $CS2 = V_{IH}$, $\overline{WE} = V_{IH}$, Others = V_{IH}/V_{IL} Address increment scan or decrement scan
	I_{CC2} * ⁵	—	20	30	mA	Cycle time = 70 ns, duty = 100%, $I_{IO} = 0$ mA, $\overline{CS1} = V_{IL}$, $CS2 = V_{IH}$, Others = V_{IH}/V_{IL} Address increment scan or decrement scan
	I_{CC3}	—	3	8	mA	Cycle time = 1 μs , duty = 100%, $I_{IO} = 0$ mA, $\overline{CS1} \leq 0.2$ V, $CS2 \geq V_{CC} - 0.2$ V, $V_{IH} \geq V_{CC} - 0.2$ V, $V_{IL} \leq 0.2$ V
Standby current	I_{SB}	—	0.1	0.5	mA	$CS2 = V_{IL}$
Standby current	I_{SB1} * ³	—	0.5	25	μA	$0 \text{ V} \leq V_{in}$ (1) $0 \text{ V} \leq CS2 \leq 0.2 \text{ V}$ or (2) $\overline{CS1} \geq V_{CC} - 0.2 \text{ V}$, $CS2 \geq V_{CC} - 0.2 \text{ V}$ or (3) $\overline{LB} = \overline{UB} \geq V_{CC} - 0.2 \text{ V}$, $CS2 \geq V_{CC} - 0.2 \text{ V}$, $\overline{CS1} \leq 0.2 \text{ V}$ Average value
	I_{SB1} * ⁴	—	0.5	8	μA	
Output high voltage	V_{OH}	2.4	—	—	V	$I_{OH} = -1$ mA
	V_{OH}	$V_{CC} - 0.2$	—	—	V	$I_{OH} = -100$ μA
Output low voltage	V_{OL}	—	—	0.4	V	$I_{OL} = 2$ mA
	V_{OL}	—	—	0.2	V	$I_{OL} = 100$ μA

HM62V16100I Series

- Notes:
1. Typical values are at $V_{CC} = 3.0\text{ V}$, $T_a = +25^\circ\text{C}$ and not guaranteed.
 2. $\overline{\text{BYTE}}$ pin supported by only TSOP type.
 $\overline{\text{BYTE}} \geq V_{CC} - 0.2\text{ V}$ or $\overline{\text{BYTE}} \leq 0.2\text{ V}$
 3. This characteristic is guaranteed only for L-version.
 4. This characteristic is guaranteed only for L-SL version.
 5. I_{CC2} is the value measured while the valid address is increasing or decreasing by one bit.
Word mode: LSB (least significant bit) is A0.
Byte mode: LSB (least significant bit) is A-1.

Capacitance

($T_a = +25^\circ\text{C}$, $f = 1.0\text{ MHz}$)

Parameter	Symbol	Min	Typ	Max	Unit	Test conditions	Note
Input capacitance	C_{in}	—	—	8	pF	$V_{in} = 0\text{ V}$	1
Input/output capacitance	$C_{I/O}$	—	—	10	pF	$V_{I/O} = 0\text{ V}$	1

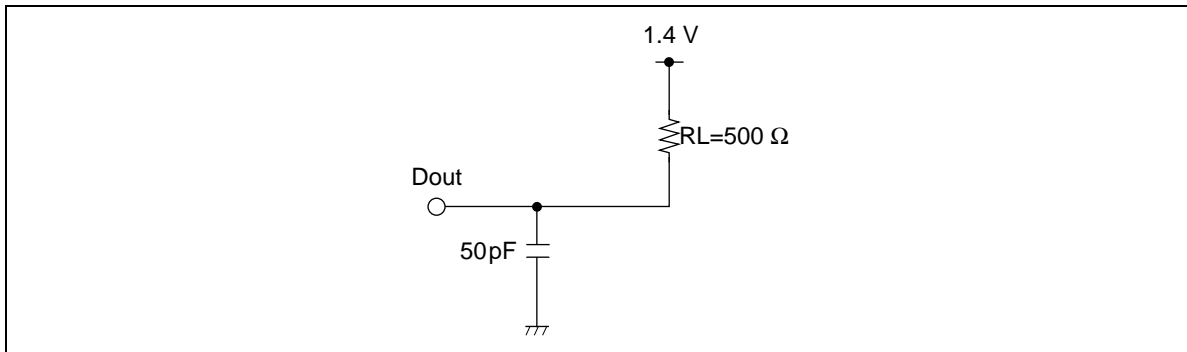
Note: 1. This parameter is sampled and not 100% tested.

AC Characteristics

($T_a = -40$ to $+85^\circ\text{C}$, $V_{CC} = 2.7$ V to 3.6 V, unless otherwise noted.)

Test Conditions

- Input pulse levels: $V_{IL} = 0.4$ V, $V_{IH} = 2.4$ V
- Input rise and fall time: 5 ns
- Input and output timing reference levels: 1.4 V
- Output load: See figures (Including scope and jig)



HM62V16100I Series

Read Cycle

Parameter	Symbol	HM62V16100I				Unit	Notes
		-4		-5			
		Min	Max	Min	Max		
Read cycle time	t_{RC}	45	—	55	—	ns	
Address access time	t_{AA}	—	45	—	55	ns	
Chip select access time	t_{ACS1}	—	45	—	55	ns	
	t_{ACS2}	—	45	—	55	ns	
Output enable to output valid	t_{OE}	—	30	—	35	ns	
Output hold from address change	t_{OH}	10	—	10	—	ns	
LB, UB access time	t_{BA}	—	45	—	55	ns	
Chip select to output in low-Z	t_{CLZ1}	10	—	10	—	ns	2, 3
	t_{CLZ2}	10	—	10	—	ns	2, 3
LB, UB enable to low-Z	t_{BLZ}	5	—	5	—	ns	2, 3
Output enable to output in low-Z	t_{OLZ}	5	—	5	—	ns	2, 3
Chip deselect to output in high-Z	t_{CHZ1}	0	20	0	20	ns	1, 2, 3
	t_{CHZ2}	0	20	0	20	ns	1, 2, 3
LB, UB disable to high-Z	t_{BHZ}	0	15	0	20	ns	1, 2, 3
Output disable to output in high-Z	t_{OHZ}	0	15	0	20	ns	1, 2, 3

Write Cycle

Parameter	Symbol	HM62V16100I				Unit	Notes
		-4		-5			
		Min	Max	Min	Max		
Write cycle time	t_{WC}	45	—	55	—	ns	
Address valid to end of write	t_{AW}	45	—	50	—	ns	
Chip selection to end of write	t_{CW}	45	—	50	—	ns	5
Write pulse width	t_{WP}	35	—	40	—	ns	4
LB, UB valid to end of write	t_{BW}	45	—	50	—	ns	
Address setup time	t_{AS}	0	—	0	—	ns	6
Write recovery time	t_{WR}	0	—	0	—	ns	7
Data to write time overlap	t_{DW}	25	—	25	—	ns	
Data hold from write time	t_{DH}	0	—	0	—	ns	
Output active from end of write	t_{OW}	5	—	5	—	ns	2
Output disable to output in high-Z	t_{OHZ}	0	15	0	20	ns	1, 2
Write to output in high-Z	t_{WHZ}	0	15	0	20	ns	1, 2

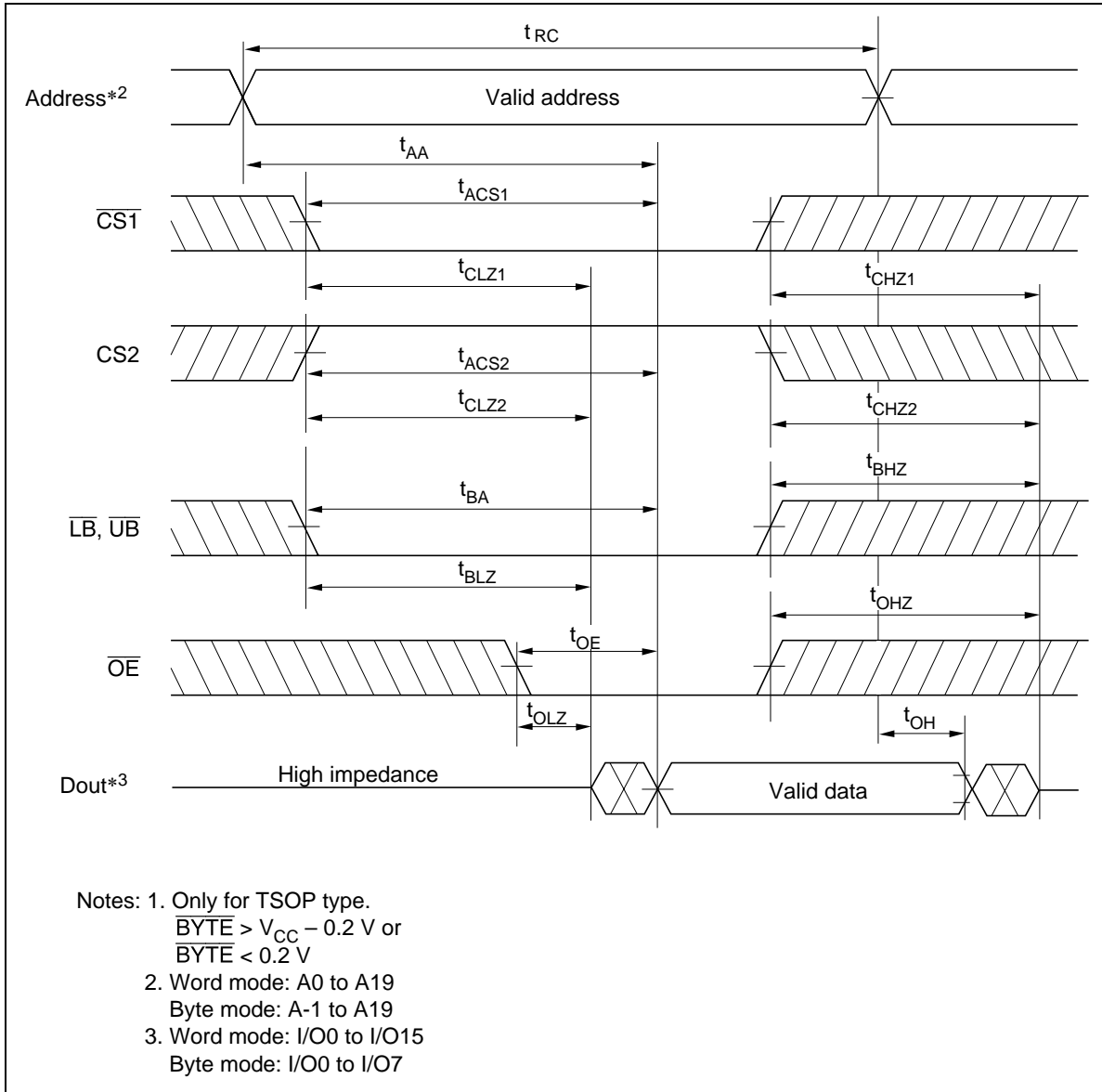
Byte Control

Parameter	Symbol	HM62V16100I				Unit	Notes
		-4		-5			
		Min	Max	Min	Max		
BYTE setup time	t_{BS}	5	—	5	—	ms	8
BYTE recovery time	t_{BR}	5	—	5	—	ms	8

- Notes:
1. t_{CHZ} , t_{OHZ} , t_{WHZ} and t_{BHZ} are defined as the time at which the outputs achieve the open circuit conditions and are not referred to output voltage levels.
 2. This parameter is sampled and not 100% tested.
 3. At any given temperature and voltage condition, t_{HZ} max is less than t_{LZ} min both for a given device and from device to device.
 4. A write occurs during the overlap of a low $\overline{CS1}$, a high CS2, a low \overline{WE} and a low \overline{LB} or a low \overline{UB} . A write begins at the latest transition among $\overline{CS1}$ going low, CS2 going high, \overline{WE} going low and \overline{LB} going low or \overline{UB} going low. A write ends at the earliest transition among $\overline{CS1}$ going high, CS2 going low, \overline{WE} going high and \overline{LB} going high or \overline{UB} going high. t_{WP} is measured from the beginning of write to the end of write.
 5. t_{CW} is measured from the later of $\overline{CS1}$ going low or CS2 going high to the end of write.
 6. t_{AS} is measured from the address valid to the beginning of write.
 7. t_{WR} is measured from the earliest of $\overline{CS1}$ or \overline{WE} going high or CS2 going low to the end of write cycle.
 8. Byte control supported by only TSOP type.

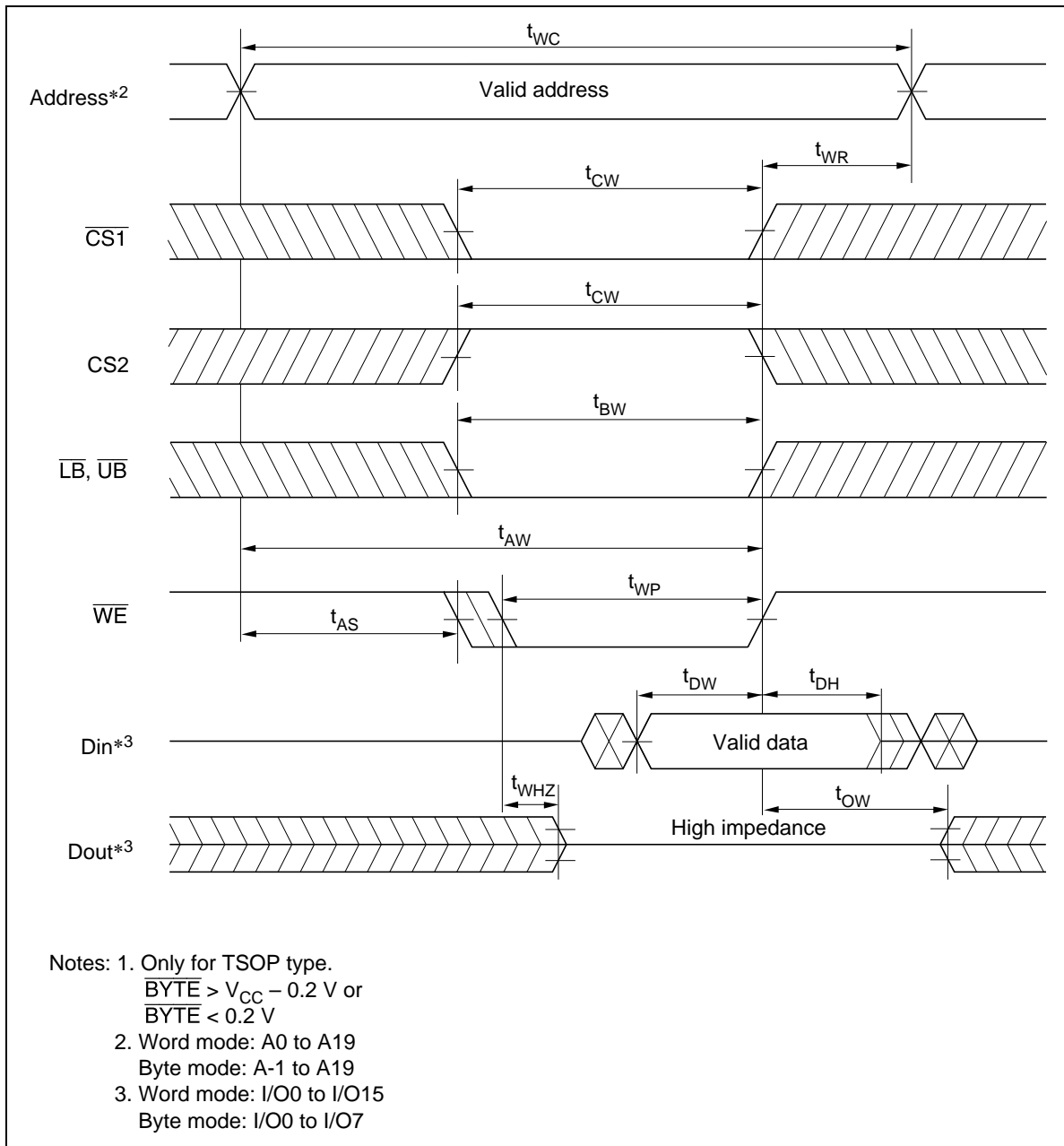
Timing Waveform

Read Cycle*¹



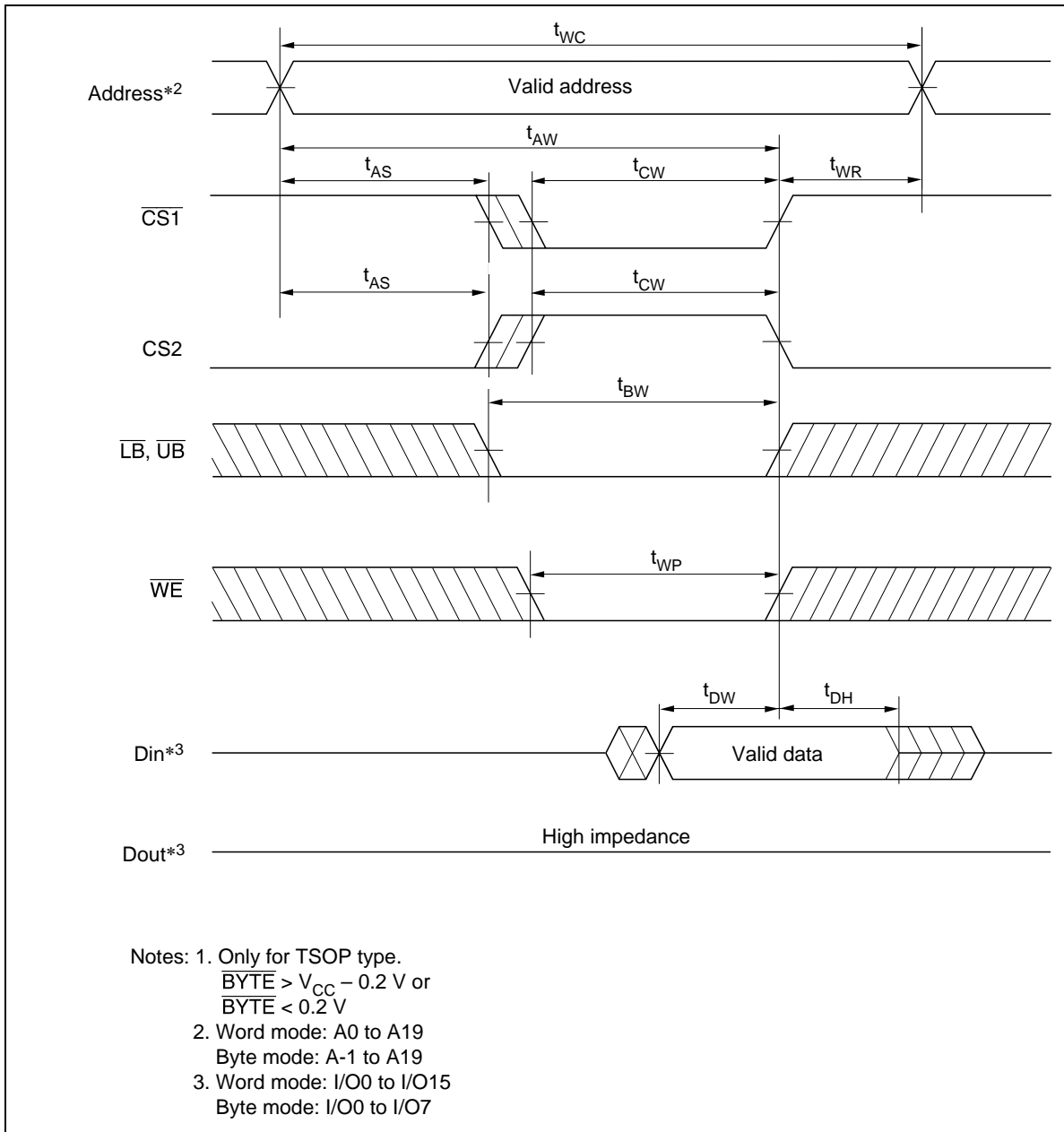
HM62V16100I Series

Write Cycle (1)*¹ ($\overline{\text{WE}}$ Clock)



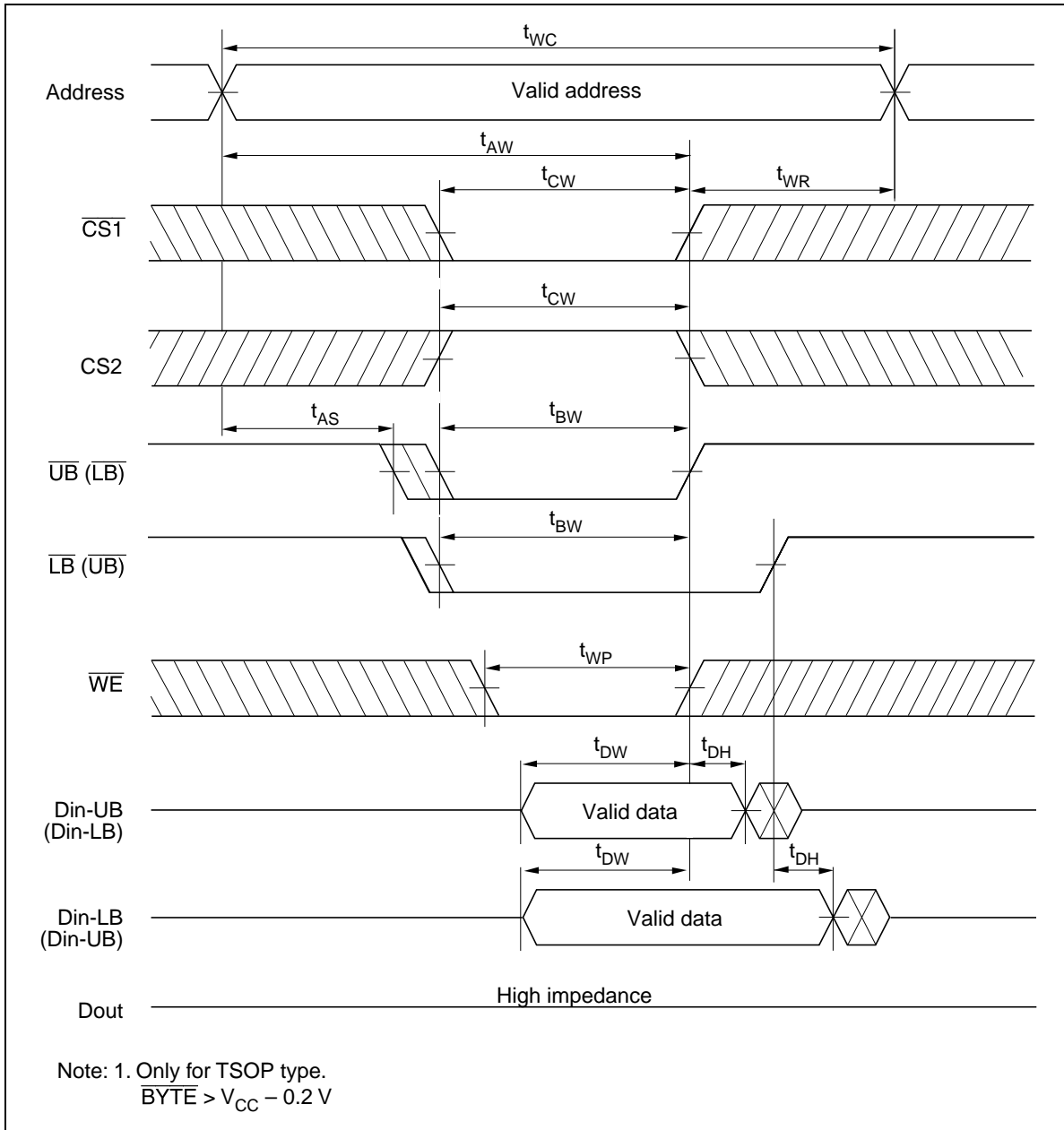
HM62V16100I Series

Write Cycle (2)*¹ ($\overline{CS1}$, CS2 Clock, $\overline{OE} = V_{IH}$)



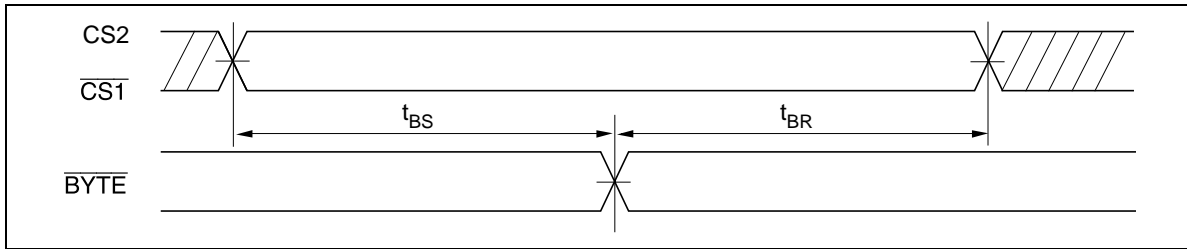
HM62V16100I Series

Write Cycle (3)*¹ ($\overline{\text{LB}}$, $\overline{\text{UB}}$ Clock, $\overline{\text{OE}} = V_{\text{IH}}$)



HM62V16100I Series

Byte Control (TSOP)



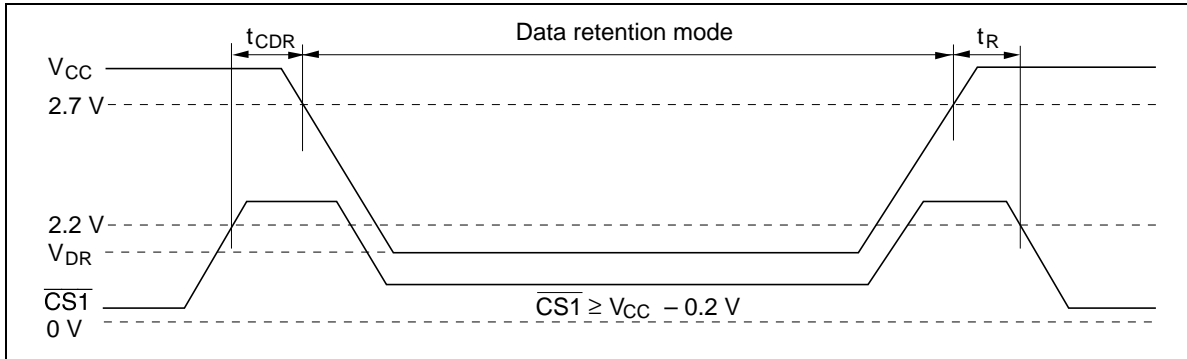
Low V_{CC} Data Retention Characteristics

($T_a = -40$ to $+85^\circ\text{C}$)

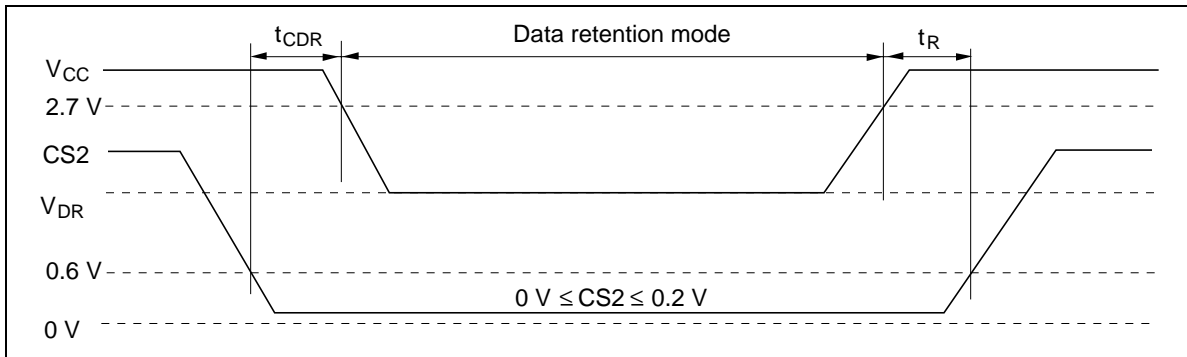
Parameter	Symbol	Min	Typ* ⁵	Max	Unit	Test conditions* ^{3,4}
V_{CC} for data retention	V_{DR}	1.5	—	3.6	V	$V_{in} \geq 0$ V (1) 0 V \leq CS2 \leq 0.2 V or (2) CS2 \geq $V_{CC} - 0.2$ V, $\overline{CS1} \geq V_{CC} - 0.2$ V or (3) $\overline{LB} = \overline{UB} \geq V_{CC} - 0.2$ V, CS2 $\geq V_{CC} - 0.2$ V, $\overline{CS1} \leq 0.2$ V
Data retention current	I_{CCDR}^{*1}	—	0.5	25	μA	$V_{CC} = 3.0$ V, $V_{in} \geq 0$ V (1) 0 V \leq CS2 \leq 0.2 V or (2) CS2 $\geq V_{CC} - 0.2$ V, $\overline{CS1} \geq V_{CC} - 0.2$ V or (3) $\overline{LB} = \overline{UB} \geq V_{CC} - 0.2$ V, CS2 $\geq V_{CC} - 0.2$ V, $\overline{CS1} \leq 0.2$ V Average value
	I_{CCDR}^{*2}	—	0.5	8	μA	
Chip deselect to data retention time	t_{CDR}	0	—	—	ns	See retention waveforms
Operation recovery time	t_R	5	—	—	ms	

- Notes:
1. This characteristic is guaranteed only for L-version.
 2. This characteristic is guaranteed only for L-SL version.
 3. \overline{BYTE} pin supported by only TSOP type.
 $\overline{BYTE} \geq V_{CC} - 0.2$ V or $\overline{BYTE} \leq 0.2$ V
 4. CS2 controls address buffer, \overline{WE} buffer, $\overline{CS1}$ buffer, \overline{OE} buffer, \overline{LB} , \overline{UB} buffer and Din buffer. If CS2 controls data retention mode, V_{in} levels (address, \overline{WE} , \overline{OE} , $\overline{CS1}$, \overline{LB} , \overline{UB} , I/O) can be in the high impedance state. If $\overline{CS1}$ controls data retention mode, CS2 must be CS2 $\geq V_{CC} - 0.2$ V or 0 V \leq CS2 \leq 0.2 V. The other input levels (address, \overline{WE} , \overline{OE} , \overline{LB} , \overline{UB} , I/O) can be in the high impedance state.
 5. Typical values are at $V_{CC} = 3.0$ V, $T_a = +25^\circ\text{C}$ and not guaranteed.

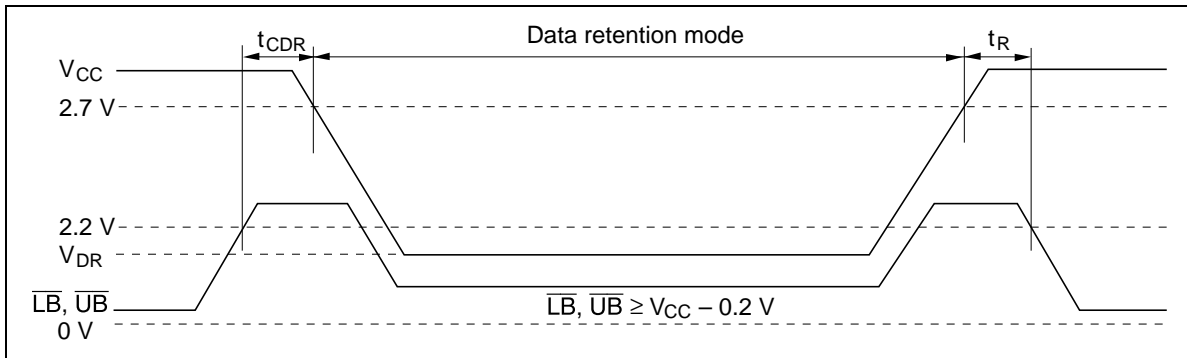
Low V_{CC} Data Retention Timing Waveform (1) ($\overline{CS1}$ Controlled)



Low V_{CC} Data Retention Timing Waveform (2) ($CS2$ Controlled)



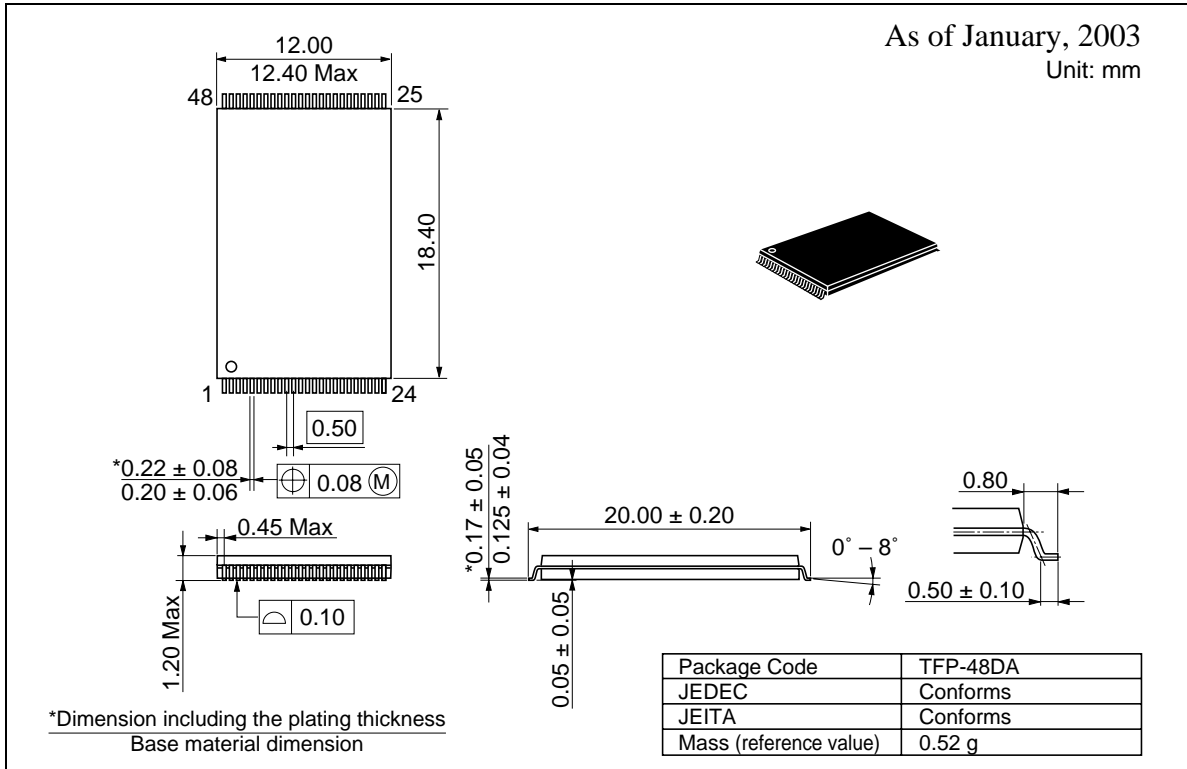
Low V_{CC} Data Retention Timing Waveform (3) (\overline{LB} , \overline{UB} Controlled)



HM62V16100I Series

Package Dimensions

HM62V16100LTI Series (TFP-48DA)

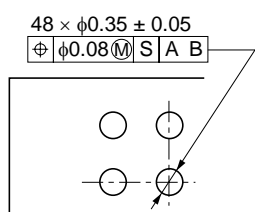
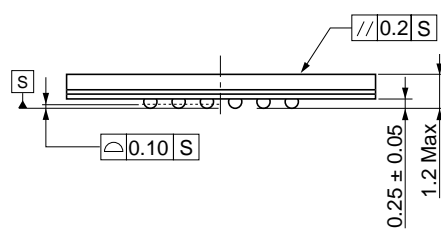
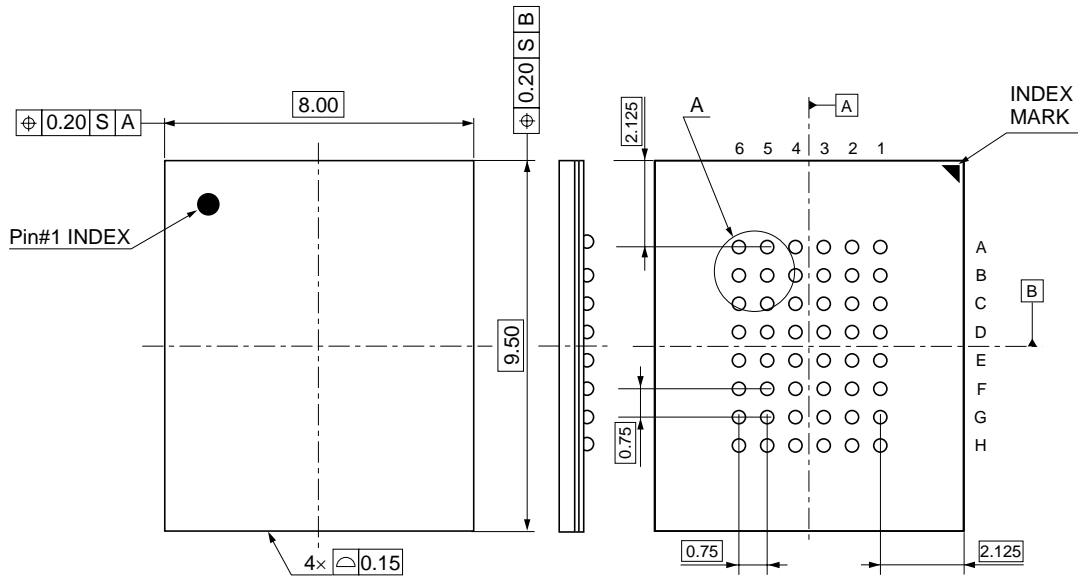


HM62V16100I Series

HM62V16100LBPI Series (TBP-48F)

As of January, 2003

Unit: mm



Details of the part A

Package Code	TBP-48F
JEDEC	-
JEITA	-
Mass (reference value)	0.15 g

Revision History

HM62V16100I Series Data Sheet

Rev.	Date	Contents of Modification	
		Page	Description
0.0	Sep. 21, 2001	—	Initial issue
1.00	Jun.19, 2003	—	Deletion of Preliminary
2.00	Oct.06, 2003	—	Deletion of HM62V16100LTI-5, HM62V16100LBPI-5

RENESAS Technology Corp. Sales Strategic Planning Div. Nippon Bldg., 2-6-2, Ohte-machi, Chiyoda-ku, Tokyo 100-0004, Japan

Keep safety first in your circuit designs!

1. Renesas Technology Corp. puts the maximum effort into making semiconductor products better and more reliable, but there is always the possibility that trouble may occur with them. Trouble with semiconductors may lead to personal injury, fire or property damage.
Remember to give due consideration to safety when making your circuit designs, with appropriate measures such as (i) placement of substitutive, auxiliary circuits, (ii) use of nonflammable material or (iii) prevention against any malfunction or mishap.

Notes regarding these materials

1. These materials are intended as a reference to assist our customers in the selection of the Renesas Technology Corp. product best suited to the customer's application; they do not convey any license under any intellectual property rights, or any other rights, belonging to Renesas Technology Corp. or a third party.
 2. Renesas Technology Corp. assumes no responsibility for any damage, or infringement of any third-party's rights, originating in the use of any product data, diagrams, charts, programs, algorithms, or circuit application examples contained in these materials.
 3. All information contained in these materials, including product data, diagrams, charts, programs and algorithms represents information on products at the time of publication of these materials, and are subject to change by Renesas Technology Corp. without notice due to product improvements or other reasons. It is therefore recommended that customers contact Renesas Technology Corp. or an authorized Renesas Technology Corp. product distributor for the latest product information before purchasing a product listed herein.
The information described here may contain technical inaccuracies or typographical errors.
Renesas Technology Corp. assumes no responsibility for any damage, liability, or other loss rising from these inaccuracies or errors.
Please also pay attention to information published by Renesas Technology Corp. by various means, including the Renesas Technology Corp. Semiconductor home page (<http://www.renesas.com>).
 4. When using any or all of the information contained in these materials, including product data, diagrams, charts, programs, and algorithms, please be sure to evaluate all information as a total system before making a final decision on the applicability of the information and products. Renesas Technology Corp. assumes no responsibility for any damage, liability or other loss resulting from the information contained herein.
 5. Renesas Technology Corp. semiconductors are not designed or manufactured for use in a device or system that is used under circumstances in which human life is potentially at stake. Please contact Renesas Technology Corp. or an authorized Renesas Technology Corp. product distributor when considering the use of a product contained herein for any specific purposes, such as apparatus or systems for transportation, vehicular, medical, aerospace, nuclear, or undersea repeater use.
 6. The prior written approval of Renesas Technology Corp. is necessary to reprint or reproduce in whole or in part these materials.
 7. If these products or technologies are subject to the Japanese export control restrictions, they must be exported under a license from the Japanese government and cannot be imported into a country other than the approved destination.
Any diversion or reexport contrary to the export control laws and regulations of Japan and/or the country of destination is prohibited.
 8. Please contact Renesas Technology Corp. for further details on these materials or the products contained therein.
-



RENESAS SALES OFFICES

<http://www.renesas.com>

Renesas Technology America, Inc.
450 Holger Way, San Jose, CA 95134-1368, U.S.A
Tel: <1> (408) 382-7500 Fax: <1> (408) 382-7501

Renesas Technology Europe Limited.
Dukes Meadow, Millboard Road, Bourne End, Buckinghamshire, SL8 5FH, United Kingdom
Tel: <44> (1628) 585 100, Fax: <44> (1628) 585 900

Renesas Technology Europe GmbH
Dornacher Str. 3, D-85622 Feldkirchen, Germany
Tel: <49> (89) 380 70 0, Fax: <49> (89) 929 30 11

Renesas Technology Hong Kong Ltd.
7/F., North Tower, World Finance Centre, Harbour City, Canton Road, Hong Kong
Tel: <852> 2265-6688, Fax: <852> 2375-6836

Renesas Technology Taiwan Co., Ltd.
FL 10, #99, Fu-Hsing N. Rd., Taipei, Taiwan
Tel: <886> (2) 2715-2888, Fax: <886> (2) 2713-2999

Renesas Technology (Shanghai) Co., Ltd.
26/F., Ruijin Building, No.205 Maoming Road (S), Shanghai 200020, China
Tel: <86> (21) 6472-1001, Fax: <86> (21) 6415-2952

Renesas Technology Singapore Pte. Ltd.
1, Harbour Front Avenue, #06-10, Keppel Bay Tower, Singapore 098632
Tel: <65> 6213-0200, Fax: <65> 6278-8001